

LUI CYC



Lifting stage and studio colour washes to new heights.

Selecon's Acclaim and Aurora ranges have a well-deserved reputation for delivering filter life up to double of

that of some cyc floods. Further developments of our heat exhaust /control system has resulted in **LUI** delivering industry leading filter life for their class and size.

Designed to withstand the most gruelling rental and production work. Engineered from precision sheet metal and aluminium extrusions.

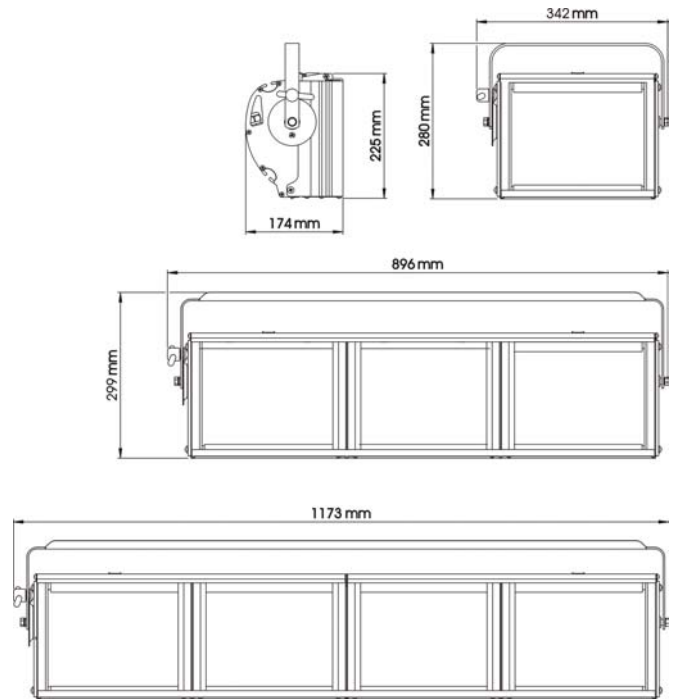
The hallmark of Selecon Cyc luminaires - light where **you** want it in a visually even controlled wash, each luminaire's beam blending seamlessly together. No distracting spill light to provide unwanted illumination.

FEATURES

- The **LUI** range uses the 1000W K4 or 625W P2/10 R7 lamps (189mm).
- Make your own battens using the **LUI** slot lock joint system that allows a number of units to be locked together.
- Makes a very effective groundrow. Simply reverse the colour cassette by removing the two screw pivot hinges. Add screw jack feet for adjustment. See separate **LUI** Groundrow specification sheet for conversion details.
- Relamp without having to remove the filter or break focus.
- Filter holder is held captive by spring hinged extruded cover that also blocks unwanted light spill.
- One handed operation only required to focus, change filters etc.
- Mains Power Disconnect - microswitches isolate the mains supply when opening to relamp (phase and neutral) protecting against a student or technician inserting a lamp into a live socket.
- Safety glass ensures that in the unlikely event of a lamp exploding that the remains are held captive within the luminaire.

- Shape the beam and contain glare with the four-door barndoor accessory – fits all models.
- Fully tested and compliant to CE standards.

PHYSICAL DATA



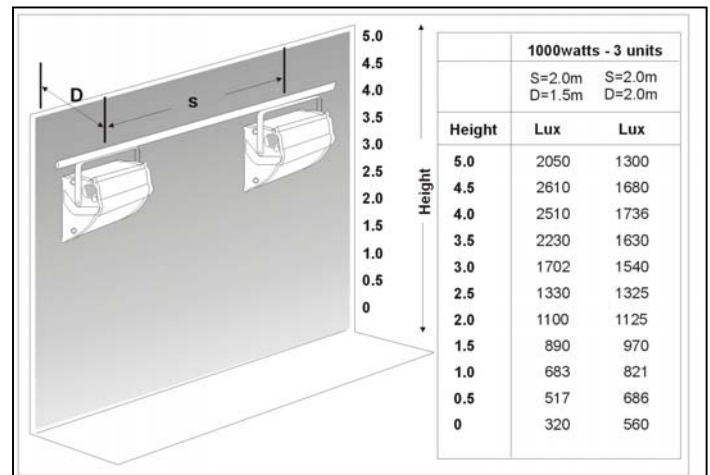
	Single	3 way	4 way
Weight:	4.1kg	10.7kg	14kg

Colour Frame Size: 265mm x 203mm

Included: 1 x colour frame per cell, 1 x M12 suspension bolt set & instruction leaflet.

PHOTOMETRIC DATA

LUI Cyc: Tests conducted using standard R7 189mm double-ended linear lamps: 1000W 240V.



CONNECTOR PANELS & OPTIONS

With the connector Options to suit your needs:

Standard – separate silicon rubber cable tails, with protected entry and clamping gland.

Connector Model – comes fitted with terminal box to which you wire your connector requirements.

Connector boxes mounted beside the termination box with wiring running through side panel knock outs for – multi connectors, cable tails, socket outlets - to fully utilise multi core cable circuit capacity.

Standard Connector Mounting options include:

- 2 x 32mm cable glands fitted to the terminal box cover plate – supplied as standard.
- 19 pin Socapex Mount Box (connector not supplied).
Order Code: 15HLCS
- 10 pin Wieland Mount Box (connector not supplied).
Order Code: 15HLCW10
- 16 pin Wieland Mount Box (connector not supplied).
Order Code: 15HLCW16
- 15A UK type Socket Outlet Mount Box (required for Spec of outlet – not supplied).
Order Code: 15HLCUK
- 10A Aust/NZ 10A Socket Outlet Mount Box (PDL type 40 – supplied).
Order Code: 15HLCANZ
- 3 and 4 flexible cable tail termination boxes c/w cables. Order Codes:
3 circuit – 15HLC3F
4 circuit – 15HLC4F

220V–240V LAMPS

K4 1000W	24,000 lumens 2000 hours average life	P2/10 625W	16,250 lumens 150 hours average life
----------	--	------------	---

ORDER CODES: LUMINAIRES & ACCESSORIES

LUI Cyc 1 – 1000W	10LUICYC1
LUI Cyc 3 Batten – 1000W, cable tails	10LUICYC3
LUI Cyc 3 Batten – 1000W, connector terminal	10LUICYC3G
LUI Cyc 4 Batten – 1000W, cable tails	10LUICYC4
LUI Cyc 4 Batten – 1000W, connector terminals	10LUICYC4G
Groundrow screw jack feet (set of 2)	15HLGBDSF
Joiner Set (2 of) slot locks	15HLJ
Barndoor – 4 leaf	15HUIBD
Spare Colour Frame	15HLCF

Selecon reserves the right to change the specifications without notice (08/04)

© 2004 Selecon New Zealand Limited All Rights Reserved.

Copyright in the whole and every part of this product literature belongs to Selecon New Zealand Limited (the “Owner”) and may not be used, sold, transferred, copied or reproduced in whole or in part in any manner or form or by any person other than in accordance with the terms of the Owner’s agreement or otherwise without the prior written consent of the Owner.

SELECON, THE ONLY MANUFACTURER TO OFFER A LIMITED THREE YEAR WARRANTY
ON ENTERTAINMENT PRODUCTS

www.seleconlight.com/english/support/warranty.html