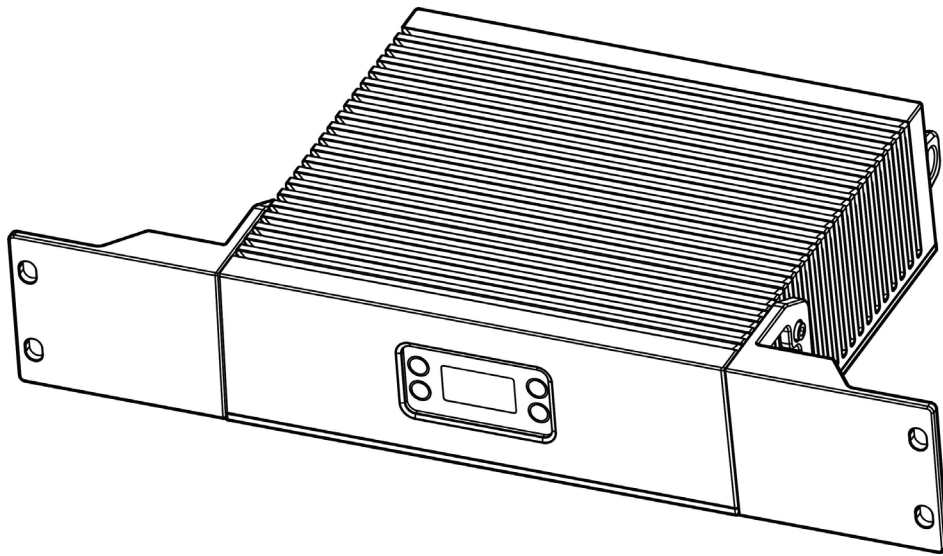


ÉPIX

DRIVE 2000 IP

User Manual




CHAUVET
PROFESSIONAL

Edition Notes

The ÉPIX Drive 2000 IP User Manual includes a description, safety precautions, installation, programming, operation and maintenance instructions for the ÉPIX Drive 2000 IP as of the release date of this edition.

Trademarks

CHAUVET, the Chauvet logo and ÉPIX Drive 2000 IP are registered trademarks or trademarks of Chauvet & Sons, LLC (d/b/a Chauvet and Chauvet Lighting) in the United States and other countries. Other company and product names and logos referred to herein may be trademarks of their respective companies.

Copyright Notice

The works of authorship contained in this manual, including, but not limited to, all design, text and images are owned by Chauvet.

© **Copyright 2020 Chauvet & Sons, LLC. All rights reserved.**

Electronically published by Chauvet in the United States of America.

Manual Use

Chauvet authorizes its customers to download and print this manual for professional information purposes only. Chauvet expressly prohibits the usage, copy, storage, distribution, modification, or printing of this manual or its content for any other purpose without written consent from Chauvet.

Document Printing

For best results, print this document in color, on letter size paper (8.5 x 11 in), double-sided. If using A4 paper (210 x 297 mm), configure the printer to scale the content accordingly.

Intended Audience

Any person installing, operating, and/or maintaining this product should completely read through the guide that shipped with the product, as well as this manual, before installing, operating, or maintaining this product.

Disclaimer

Chauvet believes that the information contained in this manual is accurate in all respects. However, Chauvet assumes no responsibility and specifically disclaims any and all liability to any party for any loss, damage or disruption caused by any errors or omissions in this document, whether such errors or omissions result from negligence, accident or any other cause. Chauvet reserves the right to revise the content of this document without any obligation to notify any person or company of such revision, however, Chauvet has no obligation to make, and does not commit to make, any such revisions. Download the latest version from www.chauvetprofessional.com.

Document Revision

This ÉPIX Drive 2000 IP User Manual is the 5th edition of this document. Go to www.chauvetprofessional.com for the latest version.

TABLE OF CONTENTS

1. Before You Begin	1
What Is Included	1
Claims	1
Manual Conventions	1
Symbols	1
Safety Notes.....	2
Personal Safety.....	2
Mounting and Rigging	2
Power and Wiring.....	2
Operation	2
Expected LED Lifespan.....	2
2. Introduction	3
Description	3
Features.....	3
Product Overview.....	3
Product Dimensions	4
3. Setup	5
AC Power.....	5
AC Plug.....	5
Power Linking.....	5
Mounting	6
Orientation.....	6
Rigging	6
Mounting Diagram.....	6
Signal Connections	7
Art-Net™ Connection	7
sACN Connection.....	7
Kling-Net Connection	7
Connection Diagram	7
Connecting ÉPIX Products.....	8
4. Operation	9
Control Panel Description	9
Menu Map	9
Ethernet Configuration	10
Protocol	10
Port Settings.....	10
Control Personality.....	10
Start Universe	11
IP Address.....	11
DMX Address.....	11
Auto Address.....	11
Control Values.....	12
Pixel Mode (300 Channels per ÉPIX Strip IP).....	12
7-CH-Drive Mode	17
8-CH-fixture Mode (8 Channels per Product).....	18
5-Section Mode (15 Channels per ÉPIX Strip IP)	18
10-Section Mode (30 Channels per ÉPIX Strip IP)	19
25-Section Mode (75 Channels per ÉPIX Strip IP).....	19
50-Section Mode (150 Channels per ÉPIX Strip IP)	21

Operating Settings Configuration	24
Home Screen	24
View Linked Fixtures	24
Output Test	24
Display Inverse.....	24
Factory Reset.....	24
Screen Lock	24
Software Version.....	24
Firmware Update.....	25
Instructions.....	25
Force Upload Instructions	26
5. Technical Information	27
Product Maintenance	27
6. Technical Specifications	28
Ordering	29
7. Returns.....	30
8. Contact Us	31

Before You Begin

1. Before You Begin

What Is Included

- ÉPIX Drive 2000 IP
- Seetronic Powerkon IP65 Power Cord
- Omega Bracket with Mounting Hardware
- 2 Rack Ears and Screws
- Quick Reference Guide

Claims

Carefully unpack the product immediately and check the container to make sure all the parts are in the package and are in good condition.





If the box or the contents (the product and included accessories) appear damaged from shipping, or show signs of mishandling, notify the carrier immediately, not Chauvet. Failure to report damage to the carrier immediately may invalidate your claim. In addition, keep the box and contents for inspection.

For other issues, such as missing components or parts, damage not related to shipping, or concealed damage, file a claim with Chauvet within 7 days of delivery.

Manual Conventions

Convention	Meaning
1–512	A range of values
50/60	A set of values of which only one can be chosen
<SET>	A button on the product's control panel
Settings	A product function or a menu option

Symbols

Symbol	Meaning
	Electrical warning. Not following these instructions may cause electrical damage to the product, accessories, or the user.
	Critical installation, configuration, or operation information. Not following these instructions may make the product not work, cause damage to the product, or cause harm to the operator.
	Important installation or configuration information. The product may not function correctly if this information is not used.
	Useful information.



The term “DMX” used throughout this manual refers to the USITT DMX512-A digital data transmission protocol.

Safety Notes

Read all the following safety notes before working with this product. These notes contain important information about the installation, usage, and maintenance of this product.



This product contains no user-serviceable parts. Any reference to servicing in this User Manual will only apply to properly trained, certified technicians. Do not open the housing or attempt any repairs.



All applicable local codes and regulations apply to proper installation of this product.

Personal Safety

- Always disconnect the product from the power source before cleaning or replacing the fuse.
- Always connect the product to a grounded circuit to avoid the risk of electrocution.
- Do not touch the product's housing when operating because it may be very hot.

Mounting and Rigging

- Do not submerge this product (IP65). Temporary outdoor operation is fine.
- When using this product in an outdoor environment, use IP65 (or higher) rated power and data cables. Secure unused power and data ports with attached IP65 covers.
- CAUTION: When transferring product from extreme temperature environments, (e.g., cold truck to warm, humid ballroom) condensation may form on the internal electronics of the product. To avoid causing a failure, allow product to fully acclimate to the surrounding environment before connecting it to power.
- Not for permanent outdoor installation in locations with extreme environmental conditions. This includes, but is not limited to:
 - Exposure to a marine/saline environment (within 3 miles of a saltwater body of water).
 - Locations where the normal high or low temperatures exceed the temperature ranges in this manual.
 - Locations that are prone to flooding or being buried in snow.
 - Areas where the product will be subjected to extreme radiation or caustic substances.
- Mount this product in a location with adequate ventilation, at least 20 in (50 cm) from adjacent surfaces.
- Make sure there are no flammable materials close to the product when operating.
- When hanging this product, always secure to a fastening device using a safety cable.

Power and Wiring

- Always make sure you are connecting the product to the proper voltage in accordance with the specifications in this manual or on the product's specification label.
- Never connect the product to a dimmer pack or rheostat.
- Never disconnect this product by pulling or tugging on the power cable.

Operation

- Do not operate this product if there is damage on the housing, lenses, or cables. Have the damaged parts replaced by an authorized technician at once.
- Do not cover the ventilation slots when operating to avoid internal overheating.
- The maximum ambient temperature is 113 °F (45 °C). Do not operate the product at higher temperatures.
- In the event of a serious operation problem, stop using this product immediately!



If your Chauvet product requires service, contact Chauvet Technical Support.

Expected LED Lifespan

Over time, use and heat will gradually reduce LED brightness. Clustered LEDs produce more heat than single LEDs, contributing to shorter lifespans if always used at full intensity. The average LED lifespan is 40,000 to 50,000 hours. To extend LED lifespan, maintain proper ventilation around the product, and limit the overall intensity.

2. Introduction

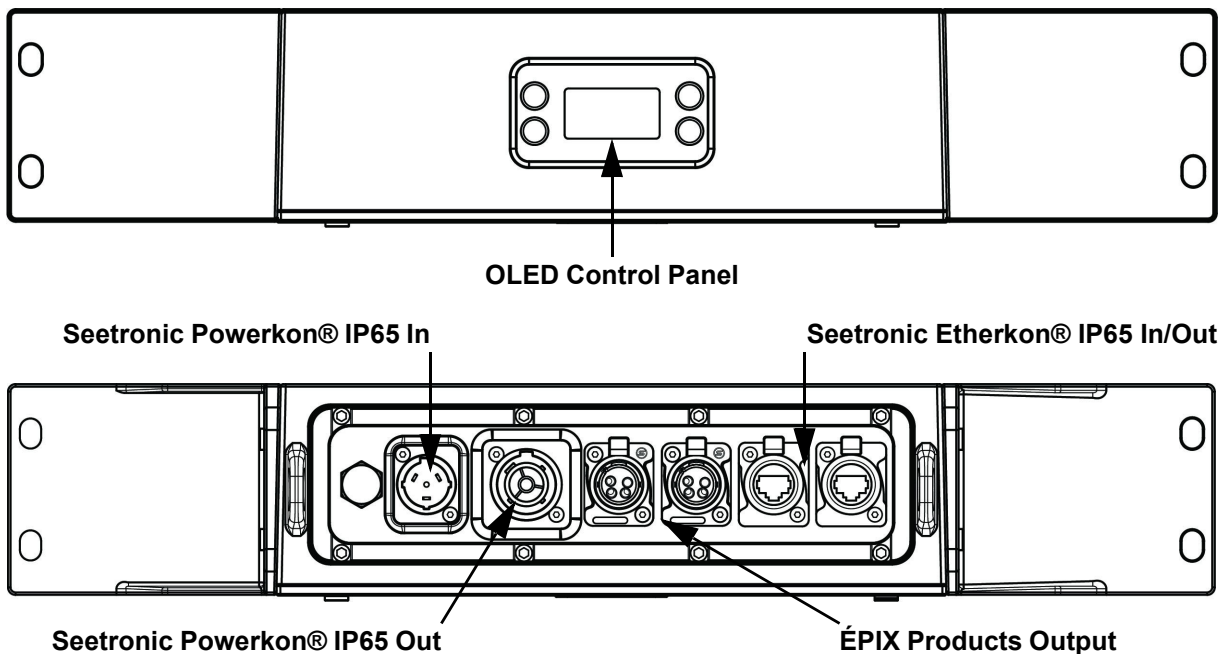
Description

The ÉPIX Drive 2000 IP hosts the processing and power supply for the ÉPIX IP and ÉPIX Tour product line in one convenient device. Using both ports, it controls up to 20 ÉPIX Strip IP, 40 ÉPIX Strip IP 50, 36 ÉPIX Strip Tour, 72 ÉPIX Strip Tour 50, or 12 ÉPIX Bar Tour products easily using Art-Net™, sACN, or ArKaos Kling-Net. Configuration and setup is fast and easy with its built-in OLED display. Additionally, configuration can be managed with a network-based remote web server.

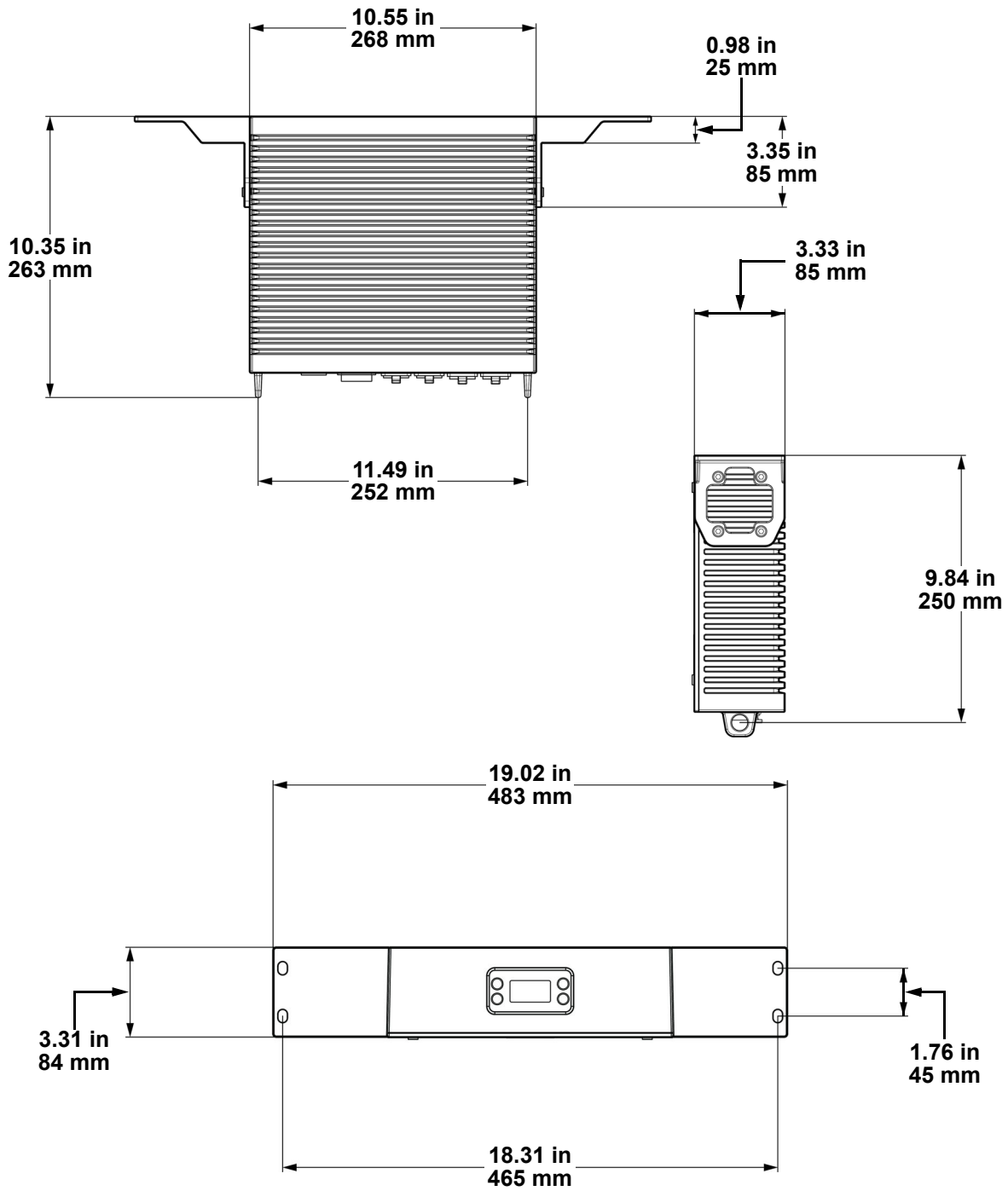
Features

- The processing and power center of the ÉPIX Tour and IP system will drive any combination of ÉPIX Tour and IP products, up to 2000 LEDs.
- Versatile control options include Art-Net, Kling-Net, and sACN (streaming ACN) to support the touring/rental/installation markets.
- Quickly and easily configure the ÉPIX Drive 2000 IP using the built-in OLED display and touchscreen menu.
- Easily detect and automatically configure your devices using the auto-address function, regardless of fixture order or type (Bar/Strip/Strip IP etc.).
- Supports up to 20 ÉPIX Strip IP, 40 ÉPIX Strip IP 50, 36 ÉPIX Strip Tour, 72 ÉPIX Strip Tour 50, or 12 ÉPIX Bar Tours.
- Easily daisy chain fixtures directly from the 2 outputs of the ÉPIX Drive 2000 IP.
- Advanced power management design allows you to position the ÉPIX Drive 2000 IP up to 150 ft away from your last fixture (using unshielded cable).
- Works with Arkaos Media Master Express for a plug-n-play system that requires almost no training to operate.
- Supports RDM over Art-Net™ and full web-server interface for remote configuration.

Product Overview



Product Dimensions



3. Setup

AC Power

Each ÉPIX Drive 2000 IP has an auto-ranging power supply that works with an input voltage range of 100 to 240 VAC, 50/60 Hz. To determine the power requirements for each ÉPIX Drive 2000 IP, refer to the label affixed to the product. You can also refer to the [Technical Specifications](#) chart in this manual.

The listed current rating indicates the maximum current draw during normal operation. For more information, download Sizing Circuit Breakers from the Chauvet website: www.chauvetprofessional.com.



- **Always connect the product to a protected circuit (circuit breaker or fuse). Make sure the product has an appropriate electrical ground to avoid the risk of electrocution or fire.**
- **To eliminate unnecessary wear and improve its lifespan, during periods of non-use completely disconnect the product from power via breaker or by unplugging it.**



- **Never connect the product to a rheostat (variable resistor) or dimmer circuit, even if the rheostat or dimmer channel serves only as a 0 to 100% switch.**

AC Plug

The ÉPIX Drive 2000 IP comes with a power input cord terminated with a Seetronic Powerkon IP65 connector on one end and an Edison plug on the other end (U.S. market). If the power input cord that came with your product has no plug, or if you need to change the plug, use the table below to wire the new plug.

Connection	Wire (U.S.)	Wire (Europe)	Screw Color
AC Live	Black	Brown	Yellow or Brass
AC Neutral	White	Blue	Silver
AC Ground	Green/Yellow	Green/Yellow	Green

Power Linking

The product supports power linking. You can power link up to 3 products at 120 V; up to 5 at 208 V or 230 V. This product comes with a power input cord. Power linking cables are available from Chauvet for purchase.



- **To preserve the IP65 rating and the warranty of this product Seetronic Powerkon cables must be used.**
- **Insert the attached IP65 rated plugs into the corresponding power/data connections when not in use.**

Mounting

The ÉPIX Drive 2000 IP fits nicely on a standard 19" rack, can be placed on its rubber feet on a flat level surface, or it can be suspended upright or upside down using the included Omega bracket.

Before mounting the product, read and follow the safety recommendations indicated in the [Safety Notes](#). For our CHAUVET Professional line of mounting clamps, go to <http://trusst.com/products/>.

Orientation

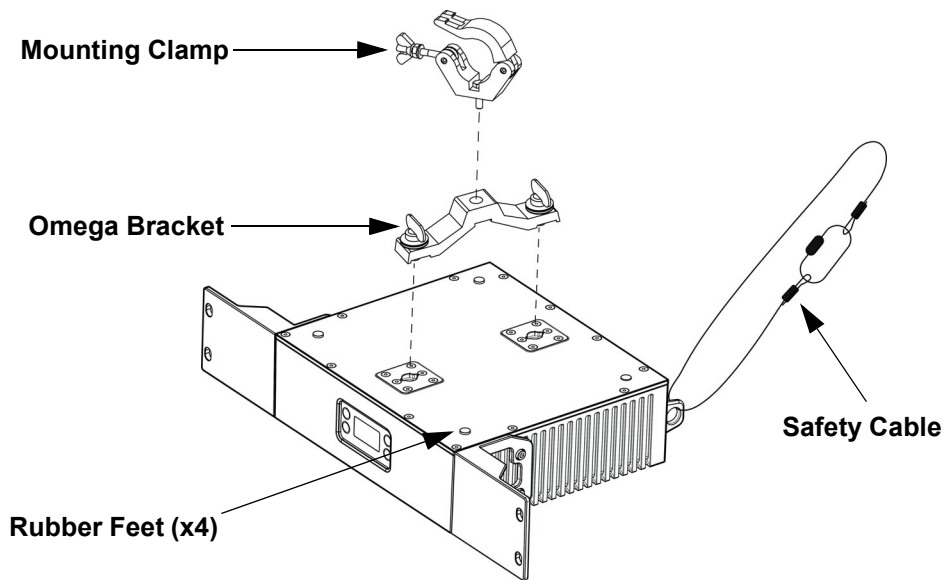
Always mount this product in a safe position and make sure there is adequate room for ventilation, configuration, and maintenance.

Rigging

Chauvet recommends using the following general guidelines when mounting this product.

- Before deciding on a location for the product, make sure there is easy access to the product for maintenance and programming purposes.
- Make sure that the structure onto which you are mounting the product can support the product's weight. See the [Technical Specifications](#) for weight information.
- When mounting the product overhead, always use a safety cable. Mount the product securely to a rigging point, whether an elevated platform or a truss.
- When rigging the product onto a truss, use a mounting clamp of appropriate weight capacity.
- When power linking multiple products, mount the products close enough for power linking cables to reach.

Mounting Diagram



Signal Connections

The ÉPIX Drive 2000 IP can receive DMX, Art-Net™, sACN, or Kling-Net signal. The ÉPIX Drive 2000 IP has 2 Seetronic Etherkon IP65 through ports, and 3- and 5-pin DMX in and out ports. For more information about DMX, read the DMX primer at: https://www.chauvetprofessional.com/wp-content/uploads/2016/06/DMX_Primer.pdf.

Art-Net™ Connection

Art-Net™ is an Ethernet protocol that uses TCP/IP which transfers a large amount of DMX512 data using a Seetronic Etherkon IP65 connection over a large network. An Art-Net™ protocol document is available from www.chauvetprofessional.com.

Art-Net™ designed by and copyright Artistic Licence Holdings Ltd.

sACN Connection

Also known as ANSI E1.31, streaming ACN is an Ethernet protocol that uses the layering and formatting of Architecture for Control Networks to transport DMX512 data over IP or any other ACN compatible network. ACN is maintained by the Professional Lighting and Sound Association (PLASA).

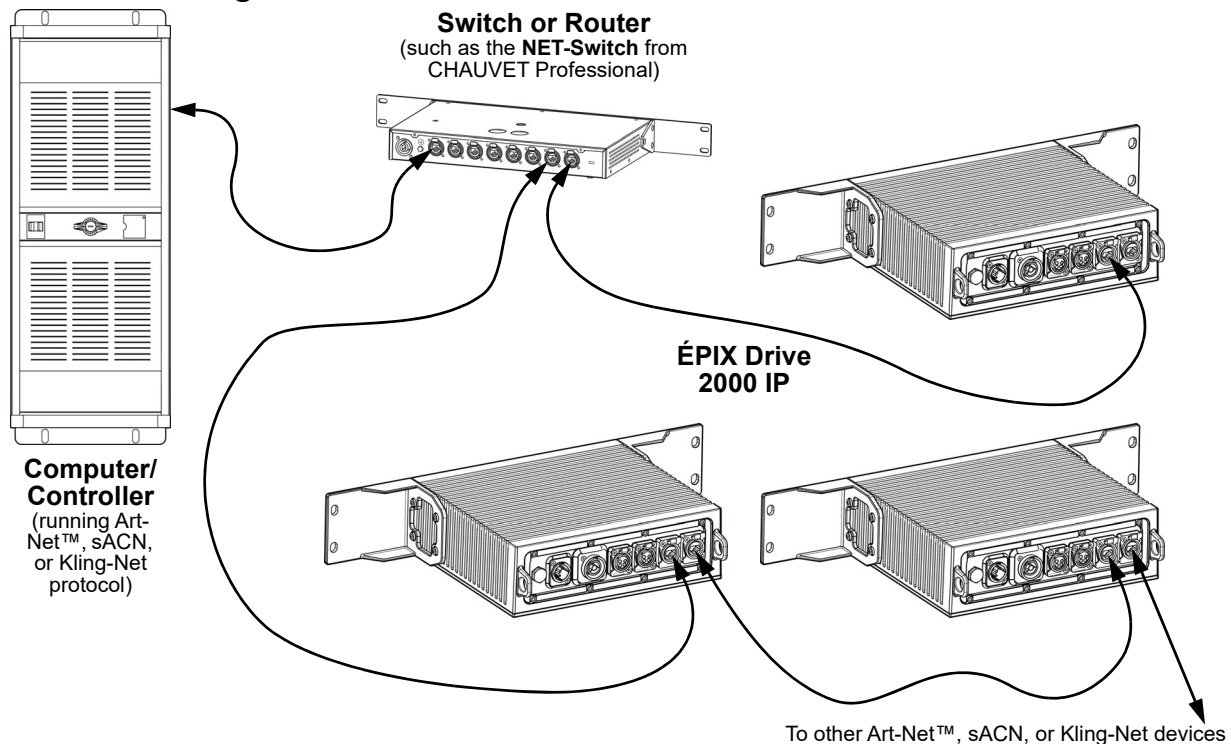
Kling-Net Connection

Kling-Net is a network protocol that allows auto configuration of display devices using a Seetronic Etherkon IP65 Ethernet connection. Refer to the ArKaos software manual for detailed instructions on programming this product.



ArKaos Kling-Net does not support the pan and tilt functions, and must be paired with another protocol for full functionality with the ÉPIX Drive 2000 IP.

Connection Diagram



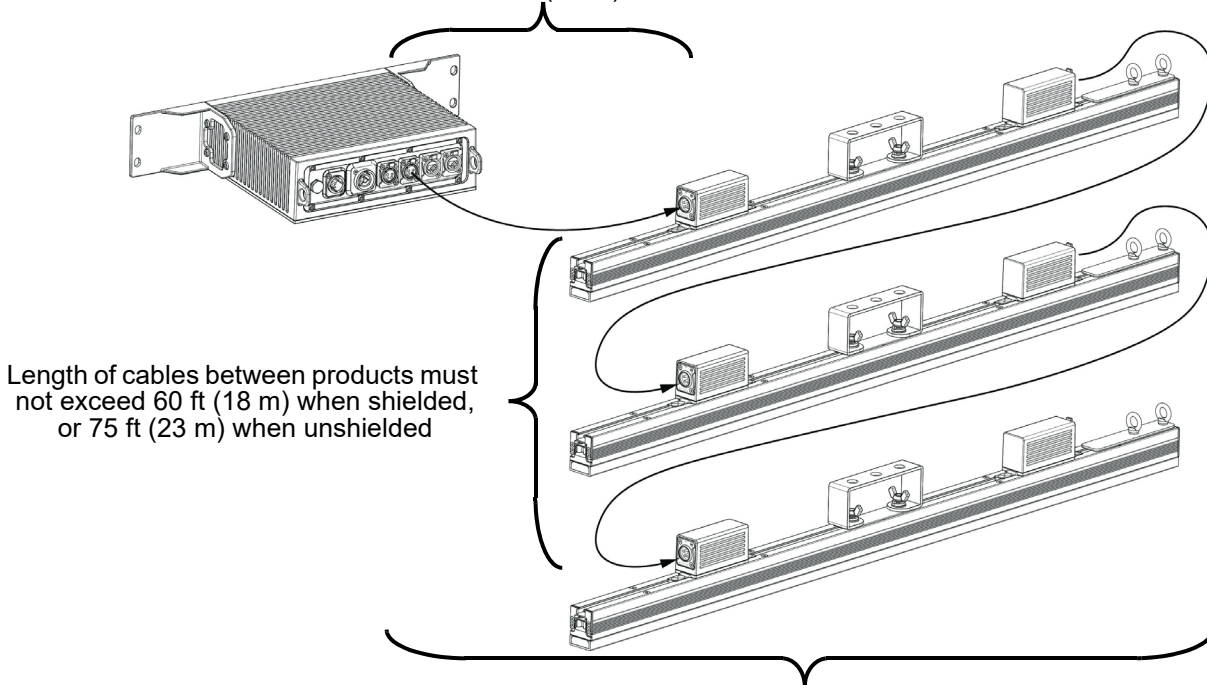
The three LED indicators in between the ethernet through ports indicate a connection to a network and activity on that network. They do not indicate whether or not the ÉPIX Drive 2000 IP is receiving a signal from a controller.

Connecting ÉPIX Products

The ÉPIX Drive 2000 IP uses a 4-pin XLR connection to link all ÉPIX IP and ÉPIX Tour products. Each ÉPIX Tour product must be daisy-chained together in series. Each output of an ÉPIX Drive 2000 IP is capable of supporting up to 1000 IP LEDs or 900 Tour LEDs in many possible configurations. For example:

- 10 ÉPIX Strip IP products
- 20 ÉPIX Strip IP 50 products
- 18 ÉPIX Strip Tour products
- 36 ÉPIX Strip Tour 50 products
- 6 ÉPIX Bar Tour products
- 5 ÉPIX Strip IP products and 9 ÉPIX Strip Tour products
- 5 ÉPIX Strip IP products and 3 ÉPIX Bar Tour products
- 5 ÉPIX Strip IP products, 3 ÉPIX Strip Tour products, and 2 ÉPIX Bar Tour products

Length of cables between ÉPIX Drive 2000 IP and 1st product must not exceed 65 ft (20 m) when shielded, or 200 ft (60 m) when unshielded



Length of cables between products must not exceed 60 ft (18 m) when shielded, or 75 ft (23 m) when unshielded

Total length of cables cannot exceed 210 ft (64 m) when shielded, or 300 ft (91 m) when unshielded



- 1 = Power + (12 AWG or larger)
- 2 = Data + (18–24 AWG)
- 3 = Data - (18–24 AWG)
- 4 = Power - (12 AWG or larger)



Do not combine ÉPIX Strip IP products with ÉPIX Strip Tour products or ÉPIX Bar Tour products on the same output of the ÉPIX Drive 2000 IP if any personality other than Pixel or 8-CH-fixture is selected.

4. Operation

Control Panel Description

Button	Function
◀ <LEFT>	Exits from the current menu or function or cycles through the main level of the menu
▶ <RIGHT>	Enables the currently displayed menu or sets the currently selected value into the selected function
▲ <UP>	Navigates upwards through the menu list or increases the numeric value when in a function
▼ <DOWN>	Navigates downwards through the menu list or decreases the numeric value when in a function

Menu Map

Main Level	Programming Levels		Description	
Auto Address	No		Automatically finds and addresses the products	
	Yes			
View Linked Fixtures	Port A	1. _ _ _ _ - 18. _ _ _ _	Displays the connected products	
	Port B			
LED Output	Off		Turns off all LED output	
	Red		Red LEDs at full	
	Green		Green LEDs at full	
	Blue		Blue LEDs at full	
	White		All LEDs at full	
	Fade		Color fade program	
	Scroll		Color scroll program	
Protocol	Port A	Art-Net		Selects the protocol for each port and determines what other menu options are available
		Kling-Net	_____	
		sACN		
	Port B	Art-Net		
		Kling-Net	_____	
		sACN		
Display Inverse	No		Rotates display 180°	
	Yes			
Factory Reset	No		Resets the product to factory defaults	
	Yes			
Port A (Art-Net™ and sACN only)	Personality	Pixel		Sets control personality for Port A (see Control Personality)
		7-CH-Drive		
		8-CH-fixture		
		5-Section		
		10-Section		
		25-Section		
	50-Section			
	Universe	000–246 (Art-Net™) 001–247 (sACN)		Sets the lowest of the 6 consecutive universes to which Port A is assigned
	IP Address	IP Address #1– IP Address #10	1–126 . 0–255 . 0–255 . 0–255	Sets the IP addresses for Port A Note: All IP addresses must be unique
DMX Address	001–_ _ _		Sets the starting address for Port A (highest channel set by Personality)	

Main Level	Programming Levels		Description
Port B (Art-Net™ and sACN only)	Personality	Pixel	Sets control personality for Port A (see Control Personality)
		7-CH-Drive	
		8-CH-fixture	
		5-Section	
		10-Section	
		25-Section	
	50-Section		
Universe	000–246 (Art-Net™) 001–247 (sACN)		Sets the lowest of the 6 consecutive universes to which Port A is assigned
IP Address	IP Address #1– IP Address #10	1–126 . 0–255 . 0–255 . 0–255	Sets the IP addresses for Port A Note: All IP addresses must be unique
DMX Address	001–_ _ _		Sets the starting address for Port A (highest channel set by Personality)
Screen Lock	No		Locks screen. Passcode: UP, DOWN, UP, DOWN, RIGHT
	Yes		
Software Version	Port A:-----V _.-_- Port B:-----V _.-_-		Displays the current software version

Ethernet Configuration

The ÉPIX Drive 2000 IP operates by routing one of three Ethernet protocols (Art-Net™, sACN, or Kling-Net) to the ÉPIX IP and ÉPIX Tour products linked to the outputs of the Drive. The Ethernet protocol must be set for the products to respond correctly to the controller. See the [Menu Map](#) for more information on menu options.

Protocol

To configure the protocol for each port of the ÉPIX Drive 2000 IP, follow the instructions below:

1. Press <LEFT> repeatedly until **Protocol** is selected.
2. Press <RIGHT>.
3. Use <UP> or <DOWN> to select from **Port A** or **Port B**.
4. Press <RIGHT>.
5. Use <UP> or <DOWN> to select from **Art-Net**, **Kling-Net**, or **sACN**.
6. Press <RIGHT>.

Port Settings

To access the Art-Net™ or sACN settings for Port A or Port B, do the following:

1. Press <LEFT> repeatedly until **Port A** or **Port B** is selected.
2. Press <RIGHT>.

Control Personality

The ÉPIX Drive 2000 IP uses Art-Net™ or sACN for its 7 control personalities:

Personality	Channels	Description
Pixel	300 per ÉPIX Strip IP	Complete pixel control
7-CH-Drive	7	Dimmer, auto programs, and strobe
8-CH-fixture	8 per product	Dimmer, auto programs, strobe, and dimmer speed
5-Section	15 per ÉPIX Strip IP	Controls LED output in 5 groups of 20 LEDs
10-Section	30 per ÉPIX Strip IP	Controls LED output in 10 groups of 10 LEDs
25-Section	75 per ÉPIX Strip IP	Controls LED output in 25 groups of 4 LEDs
50-Section	150 per ÉPIX Strip IP	Controls LED output in 50 groups of 2 LEDs

To select the control personality for either port, follow the instructions below:

1. Navigate to the [Settings](#) for the desired port.
2. Use <UP> or <DOWN> to select **Personality**.
3. Press <RIGHT>.
4. Use <UP> or <DOWN> to select from **Pixel**, **7-CH-Drive**, **8-CH-fixture**, **5-Section**, **10-Section**, **25-Section**, or **50-Section**.
5. Press <RIGHT>.

Operation

Start Universe

Each ÉPIX Drive 2000 IP uses 6 consecutive universes in Art-Net™ mode and sACN mode, which are assigned by setting the starting (lowest-numbered) universe address.

To set the starting universe for either port, do the following:

1. Navigate to the [Settings](#) for the desired port.
2. Use **<UP>** or **<DOWN>** to select **Universe**.
3. Press **<RIGHT>**.
4. Use **<UP>** or **<DOWN>** to increase or decrease the lowest consecutive universe for the selected port, from (Art-Net™) **000–246**, or from (sACN) **001–247**.
5. Press **<RIGHT>**.

IP Address

For each universe of each port on the ÉPIX Drive 2000 IP, there must be a unique IP address. To set these IP addresses for either port, follow the instructions below:

1. Navigate to the [Settings](#) for the desired port.
2. Use **<UP>** or **<DOWN>** to select **IP Address**.
3. Press **<RIGHT>**.
4. Use **<UP>** or **<DOWN>** to select from **IP Address #1–IP Address #10**.
5. Press **<RIGHT>**.
6. Use **<UP>** or **<DOWN>** to increase or decrease the first number in the IP address, from **1–126**.
7. Press **<RIGHT>**.
8. Use **<UP>** or **<DOWN>** to increase or decrease the second number, from **0–255**.
9. Press **<RIGHT>**.
10. Repeat steps 8 and 9 for the third and fourth numbers in the IP address.

DMX Address

To set the starting DMX address for either port of the ÉPIX Drive 2000 IP, do the following:

1. Navigate to the [Settings](#) for the desired port.
2. Use **<UP>** or **<DOWN>** to select **DMX Address**.
3. Press **<RIGHT>**.
4. Use **<UP>** or **<DOWN>** to increase or decrease the starting DMX address for the selected port, from **001–___** (highest address available determined by the [Control Personality](#)).
5. Press **<RIGHT>**.

Auto Address

The ÉPIX Drive 2000 IP addresses connected products with the Auto Address function. To perform an Auto Address, follow the instructions below:

1. Press **<LEFT>** repeatedly until **Auto Address** is selected.
2. Press **<RIGHT>**.
3. Use **<UP>** or **<DOWN>** to select from **No** (do not perform Auto Address) or **Yes** (perform Auto Address).
4. Press **<RIGHT>**.

Control Values

Pixel Mode (300 Channels per ÉPIX Strip IP)

Channel	Function	Value	Percent/Setting
1	Red 1	000 ⇔ 255	0–100%
2	Green 1	000 ⇔ 255	0–100%
3	Blue 1	000 ⇔ 255	0–100%
4	Red 2	000 ⇔ 255	0–100%
5	Green 2	000 ⇔ 255	0–100%
6	Blue 2	000 ⇔ 255	0–100%
7	Red 3	000 ⇔ 255	0–100%
8	Green 3	000 ⇔ 255	0–100%
9	Blue 3	000 ⇔ 255	0–100%
10	Red 4	000 ⇔ 255	0–100%
11	Green 4	000 ⇔ 255	0–100%
12	Blue 4	000 ⇔ 255	0–100%
13	Red 5	000 ⇔ 255	0–100%
14	Green 5	000 ⇔ 255	0–100%
15	Blue 5	000 ⇔ 255	0–100%
16	Red 6	000 ⇔ 255	0–100%
17	Green 6	000 ⇔ 255	0–100%
18	Blue 6	000 ⇔ 255	0–100%
19	Red 7	000 ⇔ 255	0–100%
20	Green 7	000 ⇔ 255	0–100%
21	Blue 7	000 ⇔ 255	0–100%
22	Red 8	000 ⇔ 255	0–100%
23	Green 8	000 ⇔ 255	0–100%
24	Blue 8	000 ⇔ 255	0–100%
25	Red 9	000 ⇔ 255	0–100%
26	Green 9	000 ⇔ 255	0–100%
27	Blue 9	000 ⇔ 255	0–100%
28	Red 10	000 ⇔ 255	0–100%
29	Green 10	000 ⇔ 255	0–100%
30	Blue 10	000 ⇔ 255	0–100%
31	Red 11	000 ⇔ 255	0–100%
32	Green 11	000 ⇔ 255	0–100%
33	Blue 11	000 ⇔ 255	0–100%
34	Red 12	000 ⇔ 255	0–100%
35	Green 12	000 ⇔ 255	0–100%
36	Blue 12	000 ⇔ 255	0–100%
37	Red 13	000 ⇔ 255	0–100%
38	Green 13	000 ⇔ 255	0–100%
39	Blue 13	000 ⇔ 255	0–100%
40	Red 14	000 ⇔ 255	0–100%
41	Green 14	000 ⇔ 255	0–100%
42	Blue 14	000 ⇔ 255	0–100%
43	Red 15	000 ⇔ 255	0–100%
44	Green 15	000 ⇔ 255	0–100%
45	Blue 15	000 ⇔ 255	0–100%
46	Red 16	000 ⇔ 255	0–100%
47	Green 16	000 ⇔ 255	0–100%
48	Blue 16	000 ⇔ 255	0–100%
49	Red 17	000 ⇔ 255	0–100%
50	Green 17	000 ⇔ 255	0–100%
51	Blue 17	000 ⇔ 255	0–100%
52	Red 18	000 ⇔ 255	0–100%
53	Green 18	000 ⇔ 255	0–100%
54	Blue 18	000 ⇔ 255	0–100%

Operation

Channel	Function	Value	Percent/Setting
55	Red 19	000 ⇔ 255	0–100%
56	Green 19	000 ⇔ 255	0–100%
57	Blue 19	000 ⇔ 255	0–100%
58	Red 20	000 ⇔ 255	0–100%
59	Green 20	000 ⇔ 255	0–100%
60	Blue 20	000 ⇔ 255	0–100%
61	Red 21	000 ⇔ 255	0–100%
62	Green 21	000 ⇔ 255	0–100%
63	Blue 21	000 ⇔ 255	0–100%
64	Red 22	000 ⇔ 255	0–100%
65	Green 22	000 ⇔ 255	0–100%
66	Blue 22	000 ⇔ 255	0–100%
67	Red 23	000 ⇔ 255	0–100%
68	Green 23	000 ⇔ 255	0–100%
69	Blue 23	000 ⇔ 255	0–100%
70	Red 24	000 ⇔ 255	0–100%
71	Green 24	000 ⇔ 255	0–100%
72	Blue 24	000 ⇔ 255	0–100%
73	Red 25	000 ⇔ 255	0–100%
74	Green 25	000 ⇔ 255	0–100%
75	Blue 25	000 ⇔ 255	0–100%
76	Red 26	000 ⇔ 255	0–100%
77	Green 26	000 ⇔ 255	0–100%
78	Blue 26	000 ⇔ 255	0–100%
79	Red 27	000 ⇔ 255	0–100%
80	Green 27	000 ⇔ 255	0–100%
81	Blue 27	000 ⇔ 255	0–100%
82	Red 28	000 ⇔ 255	0–100%
83	Green 28	000 ⇔ 255	0–100%
84	Blue 28	000 ⇔ 255	0–100%
85	Red 29	000 ⇔ 255	0–100%
86	Green 29	000 ⇔ 255	0–100%
87	Blue 29	000 ⇔ 255	0–100%
88	Red 30	000 ⇔ 255	0–100%
89	Green 30	000 ⇔ 255	0–100%
90	Blue 30	000 ⇔ 255	0–100%
91	Red 31	000 ⇔ 255	0–100%
92	Green 31	000 ⇔ 255	0–100%
93	Blue 31	000 ⇔ 255	0–100%
94	Red 32	000 ⇔ 255	0–100%
95	Green 32	000 ⇔ 255	0–100%
96	Blue 32	000 ⇔ 255	0–100%
97	Red 33	000 ⇔ 255	0–100%
98	Green 33	000 ⇔ 255	0–100%
99	Blue 33	000 ⇔ 255	0–100%
100	Red 34	000 ⇔ 255	0–100%
101	Green 34	000 ⇔ 255	0–100%
102	Blue 34	000 ⇔ 255	0–100%
103	Red 35	000 ⇔ 255	0–100%
104	Green 35	000 ⇔ 255	0–100%
105	Blue 35	000 ⇔ 255	0–100%
106	Red 36	000 ⇔ 255	0–100%
107	Green 36	000 ⇔ 255	0–100%
108	Blue 36	000 ⇔ 255	0–100%
109	Red 37	000 ⇔ 255	0–100%
110	Green 37	000 ⇔ 255	0–100%

Channel	Function	Value	Percent/Setting
111	Blue 37	000 ⇄ 255	0–100%
112	Red 38	000 ⇄ 255	0–100%
113	Green 38	000 ⇄ 255	0–100%
114	Blue 38	000 ⇄ 255	0–100%
115	Red 39	000 ⇄ 255	0–100%
116	Green 39	000 ⇄ 255	0–100%
117	Blue 39	000 ⇄ 255	0–100%
118	Red 40	000 ⇄ 255	0–100%
119	Green 40	000 ⇄ 255	0–100%
120	Blue 40	000 ⇄ 255	0–100%
121	Red 41	000 ⇄ 255	0–100%
122	Green 41	000 ⇄ 255	0–100%
123	Blue 41	000 ⇄ 255	0–100%
124	Red 42	000 ⇄ 255	0–100%
125	Green 42	000 ⇄ 255	0–100%
126	Blue 42	000 ⇄ 255	0–100%
127	Red 43	000 ⇄ 255	0–100%
128	Green 43	000 ⇄ 255	0–100%
129	Blue 43	000 ⇄ 255	0–100%
130	Red 44	000 ⇄ 255	0–100%
131	Green 44	000 ⇄ 255	0–100%
132	Blue 44	000 ⇄ 255	0–100%
133	Red 45	000 ⇄ 255	0–100%
134	Green 45	000 ⇄ 255	0–100%
135	Blue 45	000 ⇄ 255	0–100%
136	Red 46	000 ⇄ 255	0–100%
137	Green 46	000 ⇄ 255	0–100%
138	Blue 46	000 ⇄ 255	0–100%
139	Red 47	000 ⇄ 255	0–100%
140	Green 47	000 ⇄ 255	0–100%
141	Blue 47	000 ⇄ 255	0–100%
142	Red 48	000 ⇄ 255	0–100%
143	Green 48	000 ⇄ 255	0–100%
144	Blue 48	000 ⇄ 255	0–100%
145	Red 49	000 ⇄ 255	0–100%
146	Green 49	000 ⇄ 255	0–100%
147	Blue 49	000 ⇄ 255	0–100%
148	Red 50	000 ⇄ 255	0–100%
149	Green 50	000 ⇄ 255	0–100%
150	Blue 50	000 ⇄ 255	0–100%
151	Red 51	000 ⇄ 255	0–100%
152	Green 51	000 ⇄ 255	0–100%
153	Blue 51	000 ⇄ 255	0–100%
154	Red 52	000 ⇄ 255	0–100%
155	Green 52	000 ⇄ 255	0–100%
156	Blue 52	000 ⇄ 255	0–100%
157	Red 53	000 ⇄ 255	0–100%
158	Green 53	000 ⇄ 255	0–100%
159	Blue 53	000 ⇄ 255	0–100%
160	Red 54	000 ⇄ 255	0–100%
161	Green 54	000 ⇄ 255	0–100%
162	Blue 54	000 ⇄ 255	0–100%
163	Red 55	000 ⇄ 255	0–100%
164	Green 55	000 ⇄ 255	0–100%
165	Blue 55	000 ⇄ 255	0–100%
166	Red 56	000 ⇄ 255	0–100%

Operation

Channel	Function	Value	Percent/Setting
167	Green 56	000 ⇄ 255	0–100%
168	Blue 56	000 ⇄ 255	0–100%
169	Red 57	000 ⇄ 255	0–100%
170	Green 57	000 ⇄ 255	0–100%
171	Blue 57	000 ⇄ 255	0–100%
172	Red 58	000 ⇄ 255	0–100%
173	Green 58	000 ⇄ 255	0–100%
174	Blue 58	000 ⇄ 255	0–100%
175	Red 59	000 ⇄ 255	0–100%
176	Green 59	000 ⇄ 255	0–100%
177	Blue 59	000 ⇄ 255	0–100%
178	Red 60	000 ⇄ 255	0–100%
179	Green 60	000 ⇄ 255	0–100%
180	Blue 60	000 ⇄ 255	0–100%
181	Red 61	000 ⇄ 255	0–100%
182	Green 61	000 ⇄ 255	0–100%
183	Blue 61	000 ⇄ 255	0–100%
184	Red 62	000 ⇄ 255	0–100%
185	Green 62	000 ⇄ 255	0–100%
186	Blue 62	000 ⇄ 255	0–100%
187	Red 63	000 ⇄ 255	0–100%
188	Green 63	000 ⇄ 255	0–100%
189	Blue 63	000 ⇄ 255	0–100%
190	Red 64	000 ⇄ 255	0–100%
191	Green 64	000 ⇄ 255	0–100%
192	Blue 64	000 ⇄ 255	0–100%
193	Red 65	000 ⇄ 255	0–100%
194	Green 65	000 ⇄ 255	0–100%
195	Blue 65	000 ⇄ 255	0–100%
196	Red 66	000 ⇄ 255	0–100%
197	Green 66	000 ⇄ 255	0–100%
198	Blue 66	000 ⇄ 255	0–100%
199	Red 67	000 ⇄ 255	0–100%
200	Green 67	000 ⇄ 255	0–100%
201	Blue 67	000 ⇄ 255	0–100%
202	Red 68	000 ⇄ 255	0–100%
203	Green 68	000 ⇄ 255	0–100%
204	Blue 68	000 ⇄ 255	0–100%
205	Red 69	000 ⇄ 255	0–100%
206	Green 69	000 ⇄ 255	0–100%
207	Blue 69	000 ⇄ 255	0–100%
208	Red 70	000 ⇄ 255	0–100%
209	Green 70	000 ⇄ 255	0–100%
210	Blue 70	000 ⇄ 255	0–100%
211	Red 71	000 ⇄ 255	0–100%
212	Green 71	000 ⇄ 255	0–100%
213	Blue 71	000 ⇄ 255	0–100%
214	Red 72	000 ⇄ 255	0–100%
215	Green 72	000 ⇄ 255	0–100%
216	Blue 72	000 ⇄ 255	0–100%
217	Red 73	000 ⇄ 255	0–100%
218	Green 73	000 ⇄ 255	0–100%
219	Blue 73	000 ⇄ 255	0–100%
220	Red 74	000 ⇄ 255	0–100%
221	Green 74	000 ⇄ 255	0–100%
222	Blue 74	000 ⇄ 255	0–100%

Channel	Function	Value	Percent/Setting
223	Red 75	000 ⇄ 255	0–100%
224	Green 75	000 ⇄ 255	0–100%
225	Blue 75	000 ⇄ 255	0–100%
226	Red 76	000 ⇄ 255	0–100%
227	Green 76	000 ⇄ 255	0–100%
228	Blue 76	000 ⇄ 255	0–100%
229	Red 77	000 ⇄ 255	0–100%
230	Green 77	000 ⇄ 255	0–100%
231	Blue 77	000 ⇄ 255	0–100%
232	Red 78	000 ⇄ 255	0–100%
233	Green 78	000 ⇄ 255	0–100%
234	Blue 78	000 ⇄ 255	0–100%
235	Red 79	000 ⇄ 255	0–100%
236	Green 79	000 ⇄ 255	0–100%
237	Blue 79	000 ⇄ 255	0–100%
238	Red 80	000 ⇄ 255	0–100%
239	Green 80	000 ⇄ 255	0–100%
240	Blue 80	000 ⇄ 255	0–100%
241	Red 81	000 ⇄ 255	0–100%
242	Green 81	000 ⇄ 255	0–100%
243	Blue 81	000 ⇄ 255	0–100%
244	Red 82	000 ⇄ 255	0–100%
245	Green 82	000 ⇄ 255	0–100%
246	Blue 82	000 ⇄ 255	0–100%
247	Red 83	000 ⇄ 255	0–100%
248	Green 83	000 ⇄ 255	0–100%
249	Blue 83	000 ⇄ 255	0–100%
250	Red 84	000 ⇄ 255	0–100%
251	Green 84	000 ⇄ 255	0–100%
252	Blue 84	000 ⇄ 255	0–100%
253	Red 85	000 ⇄ 255	0–100%
254	Green 85	000 ⇄ 255	0–100%
255	Blue 85	000 ⇄ 255	0–100%
256	Red 86	000 ⇄ 255	0–100%
257	Green 86	000 ⇄ 255	0–100%
258	Blue 86	000 ⇄ 255	0–100%
259	Red 87	000 ⇄ 255	0–100%
260	Green 87	000 ⇄ 255	0–100%
261	Blue 87	000 ⇄ 255	0–100%
262	Red 88	000 ⇄ 255	0–100%
263	Green 88	000 ⇄ 255	0–100%
264	Blue 88	000 ⇄ 255	0–100%
265	Red 89	000 ⇄ 255	0–100%
266	Green 89	000 ⇄ 255	0–100%
267	Blue 89	000 ⇄ 255	0–100%
268	Red 90	000 ⇄ 255	0–100%
269	Green 90	000 ⇄ 255	0–100%
270	Blue 90	000 ⇄ 255	0–100%
271	Red 91	000 ⇄ 255	0–100%
272	Green 91	000 ⇄ 255	0–100%
273	Blue 91	000 ⇄ 255	0–100%
274	Red 92	000 ⇄ 255	0–100%
275	Green 92	000 ⇄ 255	0–100%
276	Blue 92	000 ⇄ 255	0–100%
277	Red 93	000 ⇄ 255	0–100%
278	Green 93	000 ⇄ 255	0–100%

Operation

Channel	Function	Value	Percent/Setting
279	Blue 93	000 ⇔ 255	0–100%
280	Red 94	000 ⇔ 255	0–100%
281	Green 94	000 ⇔ 255	0–100%
282	Blue 94	000 ⇔ 255	0–100%
283	Red 95	000 ⇔ 255	0–100%
284	Green 95	000 ⇔ 255	0–100%
285	Blue 95	000 ⇔ 255	0–100%
286	Red 96	000 ⇔ 255	0–100%
287	Green 96	000 ⇔ 255	0–100%
288	Blue 96	000 ⇔ 255	0–100%
289	Red 97	000 ⇔ 255	0–100%
290	Green 97	000 ⇔ 255	0–100%
291	Blue 97	000 ⇔ 255	0–100%
292	Red 98	000 ⇔ 255	0–100%
293	Green 98	000 ⇔ 255	0–100%
294	Blue 98	000 ⇔ 255	0–100%
295	Red 99	000 ⇔ 255	0–100%
296	Green 99	000 ⇔ 255	0–100%
297	Blue 99	000 ⇔ 255	0–100%
298	Red 100	000 ⇔ 255	0–100%
299	Green 100	000 ⇔ 255	0–100%
300	Blue 100	000 ⇔ 255	0–100%

7-CH-Drive Mode

Channel	Function	Value	Percent/Setting
1	Dimmer	000 ⇔ 255	0–100%
2	Red	000 ⇔ 255	0–100%
3	Green	000 ⇔ 255	0–100%
4	Blue	000 ⇔ 255	0–100%
5	Auto Program	000 ⇔ 010	No function
		011 ⇔ 024	Auto program 1
		025 ⇔ 038	Auto program 2
		039 ⇔ 051	Auto program 3
		052 ⇔ 065	Auto program 4
		066 ⇔ 078	Auto program 5
		079 ⇔ 092	Auto program 6
		093 ⇔ 105	Auto program 7
		106 ⇔ 119	Auto program 8
		120 ⇔ 133	Auto program 9
		134 ⇔ 146	Auto program 10
		147 ⇔ 160	Auto program 11
		161 ⇔ 173	Auto program 12
		174 ⇔ 187	Auto program 13
		188 ⇔ 200	Auto program 14
		201 ⇔ 214	Auto program 15
		215 ⇔ 227	Auto program 16
228 ⇔ 241	Auto program 17		
		242 ⇔ 255	All programs (Auto programs 1–17)
6	Speed	000 ⇔ 255	0–100%
7	Strobe	000 ⇔ 010	No function
		011 ⇔ 255	Strobe, slow to fast

8-CH-fixture Mode (8 Channels per Product)

Channel	Function	Value	Percent/Setting
1	Dimmer	000 ⇔ 255	0–100%
2	Red	000 ⇔ 255	0–100%
3	Green	000 ⇔ 255	0–100%
4	Blue	000 ⇔ 255	0–100%
5	Auto Program	000 ⇔ 010	No function
		011 ⇔ 024	Auto program 1
		025 ⇔ 038	Auto program 2
		039 ⇔ 051	Auto program 3
		052 ⇔ 065	Auto program 4
		066 ⇔ 078	Auto program 5
		079 ⇔ 092	Auto program 6
		093 ⇔ 105	Auto program 7
		106 ⇔ 119	Auto program 8
		120 ⇔ 133	Auto program 9
		134 ⇔ 146	Auto program 10
		147 ⇔ 160	Auto program 11
		161 ⇔ 173	Auto program 12
		174 ⇔ 187	Auto program 13
		188 ⇔ 200	Auto program 14
		201 ⇔ 214	Auto program 15
		215 ⇔ 227	Auto program 16
228 ⇔ 241	Auto program 17		
		242 ⇔ 255	All programs (Auto programs 1–17)
6	Speed	000 ⇔ 255	0–100%
7	Strobe	000 ⇔ 010	No function
		011 ⇔ 255	Strobe, slow to fast
8	Dimmer Speed Mode	000 ⇔ 101	Linear dimmer
		102 ⇔ 152	Fast dimmer
		153 ⇔ 203	Medium dimmer
		204 ⇔ 255	Slow dimmer

5-Section Mode (15 Channels per ÉPIX Strip IP)

Channel	Function	Value	Percent/Setting
1	Red 1–20	000 ⇔ 255	0–100%
2	Green 1–20	000 ⇔ 255	0–100%
3	Blue 1–20	000 ⇔ 255	0–100%
4	Red 21–40	000 ⇔ 255	0–100%
5	Green 21–40	000 ⇔ 255	0–100%
6	Blue 21–40	000 ⇔ 255	0–100%
7	Red 41–60	000 ⇔ 255	0–100%
8	Green 41–60	000 ⇔ 255	0–100%
9	Blue 41–60	000 ⇔ 255	0–100%
10	Red 61–80	000 ⇔ 255	0–100%
11	Green 61–80	000 ⇔ 255	0–100%
12	Blue 61–80	000 ⇔ 255	0–100%
13	Red 81–100	000 ⇔ 255	0–100%
14	Green 81–100	000 ⇔ 255	0–100%
15	Blue 81–100	000 ⇔ 255	0–100%

Operation

10-Section Mode (30 Channels per ÉPIX Strip IP)

Channel	Function	Value	Percent/Setting
1	Red 1–10	000 ⇄ 255	0–100%
2	Green 1–10	000 ⇄ 255	0–100%
3	Blue 1–10	000 ⇄ 255	0–100%
4	Red 11–20	000 ⇄ 255	0–100%
5	Green 11–20	000 ⇄ 255	0–100%
6	Blue 11–20	000 ⇄ 255	0–100%
7	Red 21–30	000 ⇄ 255	0–100%
8	Green 21–30	000 ⇄ 255	0–100%
9	Blue 21–30	000 ⇄ 255	0–100%
10	Red 31–40	000 ⇄ 255	0–100%
11	Green 31–40	000 ⇄ 255	0–100%
12	Blue 31–40	000 ⇄ 255	0–100%
13	Red 41–50	000 ⇄ 255	0–100%
14	Green 41–50	000 ⇄ 255	0–100%
15	Blue 41–50	000 ⇄ 255	0–100%
16	Red 51–60	000 ⇄ 255	0–100%
17	Green 51–60	000 ⇄ 255	0–100%
18	Blue 51–60	000 ⇄ 255	0–100%
19	Red 61–70	000 ⇄ 255	0–100%
20	Green 61–70	000 ⇄ 255	0–100%
21	Blue 61–70	000 ⇄ 255	0–100%
22	Red 71–80	000 ⇄ 255	0–100%
23	Green 71–80	000 ⇄ 255	0–100%
24	Blue 71–80	000 ⇄ 255	0–100%
25	Red 81–90	000 ⇄ 255	0–100%
26	Green 81–90	000 ⇄ 255	0–100%
27	Blue 81–90	000 ⇄ 255	0–100%
28	Red 91–100	000 ⇄ 255	0–100%
29	Green 91–100	000 ⇄ 255	0–100%
30	Blue 91–100	000 ⇄ 255	0–100%

25-Section Mode (75 Channels per ÉPIX Strip IP)

Channel	Function	Value	Percent/Setting
1	Red 1–4	000 ⇄ 255	0–100%
2	Green 1–4	000 ⇄ 255	0–100%
3	Blue 1–4	000 ⇄ 255	0–100%
4	Red 5–8	000 ⇄ 255	0–100%
5	Green 5–8	000 ⇄ 255	0–100%
6	Blue 5–8	000 ⇄ 255	0–100%
7	Red 9–12	000 ⇄ 255	0–100%
8	Green 9–12	000 ⇄ 255	0–100%
9	Blue 9–12	000 ⇄ 255	0–100%
10	Red 13–16	000 ⇄ 255	0–100%
11	Green 13–16	000 ⇄ 255	0–100%
12	Blue 13–16	000 ⇄ 255	0–100%
13	Red 17–20	000 ⇄ 255	0–100%
14	Green 17–20	000 ⇄ 255	0–100%
15	Blue 17–20	000 ⇄ 255	0–100%
16	Red 21–24	000 ⇄ 255	0–100%
17	Green 21–24	000 ⇄ 255	0–100%
18	Blue 21–24	000 ⇄ 255	0–100%
19	Red 25–28	000 ⇄ 255	0–100%

Channel	Function	Value	Percent/Setting
20	Green 25–28	000 ⇔ 255	0–100%
21	Blue 25–28	000 ⇔ 255	0–100%
22	Red 29–32	000 ⇔ 255	0–100%
23	Green 29–32	000 ⇔ 255	0–100%
24	Blue 29–32	000 ⇔ 255	0–100%
25	Red 33–36	000 ⇔ 255	0–100%
26	Green 33–36	000 ⇔ 255	0–100%
27	Blue 33–36	000 ⇔ 255	0–100%
28	Red 37–40	000 ⇔ 255	0–100%
29	Green 37–40	000 ⇔ 255	0–100%
30	Blue 37–40	000 ⇔ 255	0–100%
31	Red 41–44	000 ⇔ 255	0–100%
32	Green 41–44	000 ⇔ 255	0–100%
33	Blue 41–44	000 ⇔ 255	0–100%
34	Red 45–48	000 ⇔ 255	0–100%
35	Green 45–48	000 ⇔ 255	0–100%
36	Blue 45–48	000 ⇔ 255	0–100%
37	Red 49–52	000 ⇔ 255	0–100%
38	Green 49–52	000 ⇔ 255	0–100%
39	Blue 49–52	000 ⇔ 255	0–100%
40	Red 53–56	000 ⇔ 255	0–100%
41	Green 53–56	000 ⇔ 255	0–100%
42	Blue 53–56	000 ⇔ 255	0–100%
43	Red 57–60	000 ⇔ 255	0–100%
44	Green 57–60	000 ⇔ 255	0–100%
45	Blue 57–60	000 ⇔ 255	0–100%
46	Red 61–64	000 ⇔ 255	0–100%
47	Green 61–64	000 ⇔ 255	0–100%
48	Blue 61–64	000 ⇔ 255	0–100%
49	Red 65–68	000 ⇔ 255	0–100%
50	Green 65–68	000 ⇔ 255	0–100%
51	Blue 65–68	000 ⇔ 255	0–100%
52	Red 69–72	000 ⇔ 255	0–100%
53	Green 69–72	000 ⇔ 255	0–100%
54	Blue 69–72	000 ⇔ 255	0–100%
55	Red 73–76	000 ⇔ 255	0–100%
56	Green 73–76	000 ⇔ 255	0–100%
57	Blue 73–76	000 ⇔ 255	0–100%
58	Red 77–80	000 ⇔ 255	0–100%
59	Green 77–80	000 ⇔ 255	0–100%
60	Blue 77–80	000 ⇔ 255	0–100%
61	Red 81–84	000 ⇔ 255	0–100%
62	Green 81–84	000 ⇔ 255	0–100%
63	Blue 81–84	000 ⇔ 255	0–100%
64	Red 85–88	000 ⇔ 255	0–100%
65	Green 85–88	000 ⇔ 255	0–100%
66	Blue 85–88	000 ⇔ 255	0–100%
67	Red 89–92	000 ⇔ 255	0–100%
68	Green 89–92	000 ⇔ 255	0–100%
69	Blue 89–92	000 ⇔ 255	0–100%
70	Red 93–96	000 ⇔ 255	0–100%
71	Green 93–96	000 ⇔ 255	0–100%
72	Blue 93–96	000 ⇔ 255	0–100%
73	Red 97–100	000 ⇔ 255	0–100%
74	Green 97–100	000 ⇔ 255	0–100%
75	Blue 97–100	000 ⇔ 255	0–100%

Operation

50-Section Mode (150 Channels per ÉPIX Strip IP)

Channel	Function	Value	Percent/Setting
1	Red 1–2	000 ⇔ 255	0–100%
2	Green 1–2	000 ⇔ 255	0–100%
3	Blue 1–2	000 ⇔ 255	0–100%
4	Red 3–4	000 ⇔ 255	0–100%
5	Green 3–4	000 ⇔ 255	0–100%
6	Blue 3–4	000 ⇔ 255	0–100%
7	Red 5–6	000 ⇔ 255	0–100%
8	Green 5–6	000 ⇔ 255	0–100%
9	Blue 5–6	000 ⇔ 255	0–100%
10	Red 7–8	000 ⇔ 255	0–100%
11	Green 7–8	000 ⇔ 255	0–100%
12	Blue 7–8	000 ⇔ 255	0–100%
13	Red 9–10	000 ⇔ 255	0–100%
14	Green 9–10	000 ⇔ 255	0–100%
15	Blue 9–10	000 ⇔ 255	0–100%
16	Red 11–12	000 ⇔ 255	0–100%
17	Green 11–12	000 ⇔ 255	0–100%
18	Blue 11–12	000 ⇔ 255	0–100%
19	Red 13–14	000 ⇔ 255	0–100%
20	Green 13–14	000 ⇔ 255	0–100%
21	Blue 13–14	000 ⇔ 255	0–100%
22	Red 15–16	000 ⇔ 255	0–100%
23	Green 15–16	000 ⇔ 255	0–100%
24	Blue 15–16	000 ⇔ 255	0–100%
25	Red 17–18	000 ⇔ 255	0–100%
26	Green 17–18	000 ⇔ 255	0–100%
27	Blue 17–18	000 ⇔ 255	0–100%
28	Red 19–20	000 ⇔ 255	0–100%
29	Green 19–20	000 ⇔ 255	0–100%
30	Blue 19–20	000 ⇔ 255	0–100%
31	Red 21–22	000 ⇔ 255	0–100%
32	Green 21–22	000 ⇔ 255	0–100%
33	Blue 21–22	000 ⇔ 255	0–100%
34	Red 23–24	000 ⇔ 255	0–100%
35	Green 23–24	000 ⇔ 255	0–100%
36	Blue 23–24	000 ⇔ 255	0–100%
37	Red 25–26	000 ⇔ 255	0–100%
38	Green 25–26	000 ⇔ 255	0–100%
39	Blue 25–26	000 ⇔ 255	0–100%
40	Red 27–28	000 ⇔ 255	0–100%
41	Green 27–28	000 ⇔ 255	0–100%
42	Blue 27–28	000 ⇔ 255	0–100%
43	Red 29–30	000 ⇔ 255	0–100%
44	Green 29–30	000 ⇔ 255	0–100%
45	Blue 29–30	000 ⇔ 255	0–100%
46	Red 31–32	000 ⇔ 255	0–100%
47	Green 31–32	000 ⇔ 255	0–100%
48	Blue 31–32	000 ⇔ 255	0–100%
49	Red 33–34	000 ⇔ 255	0–100%
50	Green 33–34	000 ⇔ 255	0–100%
51	Blue 33–34	000 ⇔ 255	0–100%
52	Red 35–36	000 ⇔ 255	0–100%
53	Green 35–36	000 ⇔ 255	0–100%
54	Blue 35–36	000 ⇔ 255	0–100%

Channel	Function	Value	Percent/Setting
55	Red 37–38	000 ⇄ 255	0–100%
56	Green 37–38	000 ⇄ 255	0–100%
57	Blue 37–38	000 ⇄ 255	0–100%
58	Red 39–40	000 ⇄ 255	0–100%
59	Green 39–40	000 ⇄ 255	0–100%
60	Blue 39–40	000 ⇄ 255	0–100%
61	Red 41–42	000 ⇄ 255	0–100%
62	Green 41–42	000 ⇄ 255	0–100%
63	Blue 41–42	000 ⇄ 255	0–100%
64	Red 43–44	000 ⇄ 255	0–100%
65	Green 43–44	000 ⇄ 255	0–100%
66	Blue 43–44	000 ⇄ 255	0–100%
67	Red 45–46	000 ⇄ 255	0–100%
68	Green 45–46	000 ⇄ 255	0–100%
69	Blue 45–46	000 ⇄ 255	0–100%
70	Red 47–48	000 ⇄ 255	0–100%
71	Green 47–48	000 ⇄ 255	0–100%
72	Blue 47–48	000 ⇄ 255	0–100%
73	Red 49–50	000 ⇄ 255	0–100%
74	Green 49–50	000 ⇄ 255	0–100%
75	Blue 49–50	000 ⇄ 255	0–100%
76	Red 51–52	000 ⇄ 255	0–100%
77	Green 51–52	000 ⇄ 255	0–100%
78	Blue 51–52	000 ⇄ 255	0–100%
79	Red 53–54	000 ⇄ 255	0–100%
80	Green 53–54	000 ⇄ 255	0–100%
81	Blue 53–54	000 ⇄ 255	0–100%
82	Red 55–56	000 ⇄ 255	0–100%
83	Green 55–56	000 ⇄ 255	0–100%
84	Blue 55–56	000 ⇄ 255	0–100%
85	Red 57–58	000 ⇄ 255	0–100%
86	Green 57–58	000 ⇄ 255	0–100%
87	Blue 57–58	000 ⇄ 255	0–100%
88	Red 59–60	000 ⇄ 255	0–100%
89	Green 59–60	000 ⇄ 255	0–100%
90	Blue 59–60	000 ⇄ 255	0–100%
91	Red 61–62	000 ⇄ 255	0–100%
92	Green 61–62	000 ⇄ 255	0–100%
93	Blue 61–62	000 ⇄ 255	0–100%
94	Red 63–64	000 ⇄ 255	0–100%
95	Green 63–64	000 ⇄ 255	0–100%
96	Blue 63–64	000 ⇄ 255	0–100%
97	Red 65–66	000 ⇄ 255	0–100%
98	Green 65–66	000 ⇄ 255	0–100%
99	Blue 65–66	000 ⇄ 255	0–100%
100	Red 67–68	000 ⇄ 255	0–100%
101	Green 67–68	000 ⇄ 255	0–100%
102	Blue 67–68	000 ⇄ 255	0–100%
103	Red 69–70	000 ⇄ 255	0–100%
104	Green 69–70	000 ⇄ 255	0–100%
105	Blue 69–70	000 ⇄ 255	0–100%
106	Red 71–72	000 ⇄ 255	0–100%
107	Green 71–72	000 ⇄ 255	0–100%
108	Blue 71–72	000 ⇄ 255	0–100%
109	Red 73–74	000 ⇄ 255	0–100%

Operation

Channel	Function	Value	Percent/Setting
110	Green 73–74	000 ⇔ 255	0–100%
111	Blue 73–74	000 ⇔ 255	0–100%
112	Red 75–76	000 ⇔ 255	0–100%
113	Green 75–76	000 ⇔ 255	0–100%
114	Blue 75–76	000 ⇔ 255	0–100%
115	Red 77–78	000 ⇔ 255	0–100%
116	Green 77–78	000 ⇔ 255	0–100%
117	Blue 77–78	000 ⇔ 255	0–100%
118	Red 79–80	000 ⇔ 255	0–100%
119	Green 79–80	000 ⇔ 255	0–100%
120	Blue 79–80	000 ⇔ 255	0–100%
121	Red 81–82	000 ⇔ 255	0–100%
122	Green 81–82	000 ⇔ 255	0–100%
123	Blue 81–82	000 ⇔ 255	0–100%
124	Red 83–84	000 ⇔ 255	0–100%
125	Green 83–84	000 ⇔ 255	0–100%
126	Blue 83–84	000 ⇔ 255	0–100%
127	Red 85–86	000 ⇔ 255	0–100%
128	Green 85–86	000 ⇔ 255	0–100%
129	Blue 85–86	000 ⇔ 255	0–100%
130	Red 87–88	000 ⇔ 255	0–100%
131	Green 87–88	000 ⇔ 255	0–100%
132	Blue 87–88	000 ⇔ 255	0–100%
133	Red 89–90	000 ⇔ 255	0–100%
134	Green 89–90	000 ⇔ 255	0–100%
135	Blue 89–90	000 ⇔ 255	0–100%
136	Red 91–92	000 ⇔ 255	0–100%
137	Green 91–92	000 ⇔ 255	0–100%
138	Blue 91–92	000 ⇔ 255	0–100%
139	Red 93–94	000 ⇔ 255	0–100%
140	Green 93–94	000 ⇔ 255	0–100%
141	Blue 93–94	000 ⇔ 255	0–100%
142	Red 95–96	000 ⇔ 255	0–100%
143	Green 95–96	000 ⇔ 255	0–100%
144	Blue 95–96	000 ⇔ 255	0–100%
145	Red 97–98	000 ⇔ 255	0–100%
146	Green 97–98	000 ⇔ 255	0–100%
147	Blue 97–98	000 ⇔ 255	0–100%
148	Red 99–100	000 ⇔ 255	0–100%
149	Green 99–100	000 ⇔ 255	0–100%
150	Blue 99–100	000 ⇔ 255	0–100%

Operating Settings Configuration

Home Screen

The ÉPIX Drive 2000 IP has a home screen that shows the current control protocols, personalities, starting addresses, starting universes, and IP addresses for each port. To see the home screen, hold **<LEFT>** for three seconds. Use **<UP>** or **<DOWN>** to scroll through the current settings. From the home screen, press **<LEFT>** to reach the main menu.

View Linked Fixtures

To view which fixtures are linked in order from each port, do the following:

1. Press **<LEFT>** repeatedly until **View Linked Figures** is selected.
2. Press **<RIGHT>**.
3. Use **<UP>** or **<DOWN>** to select from **Port A** or **Port B**.
4. Press **<RIGHT>**.
5. Use **<UP>** or **<DOWN>** to scroll through the list of linked fixtures for the selected port.

Output Test

To test the output of the LEDs of all connected ÉPIX products, follow the instructions below:

1. Press **<LEFT>** repeatedly until **LED Output** is selected.
2. Press **<RIGHT>**.
3. Use **<UP>** or **<DOWN>** to select from **Off** (no LED output), **Red** (red LEDs at maximum), **Green** (green LEDs at maximum), **Blue** (blue LEDs at maximum), **White** (all LEDs at maximum), **Fade** (color fade program), or **Scroll** (color scroll program).
4. Press **<RIGHT>**.

Display Inverse

To flip the display of the ÉPIX Drive 2000 IP 180°, press **<LEFT>** and **<RIGHT>** together, or do the following:

1. Press **<LEFT>** repeatedly until **LED Output** is selected.
2. Press **<RIGHT>**.
3. Use **<UP>** or **<DOWN>** to select from **No** (normal display) or **Yes** (inverted display).
4. Press **<RIGHT>**.

Factory Reset

To reset the ÉPIX Drive 2000 IP to factory default settings, follow the instructions below:

1. Press **<LEFT>** repeatedly until **Factory Reset** is selected.
2. Press **<RIGHT>**.
3. Use **<UP>** or **<DOWN>** to select from **No** (do not factory reset) or **Yes** (reset to factory defaults).
4. Press **<RIGHT>**.

Screen Lock

To lock the display of the ÉPIX Drive 2000 IP and prevent changes, do the following:

1. Press **<LEFT>** repeatedly until **Screen Lock** is selected.
2. Press **<RIGHT>**.
3. Use **<UP>** or **<DOWN>** to select from **No** (do not lock screen) or **Yes** (lock screen).
4. Press **<RIGHT>**.

To unlock the screen, the passcode is **<UP>**, **<DOWN>**, **<UP>**, **<DOWN>**, **<RIGHT>**.

Software Version

To view the current software version for both ports, follow the instructions below:

1. Press **<LEFT>** repeatedly until **Software Version** is selected.
2. Press **<RIGHT>**.

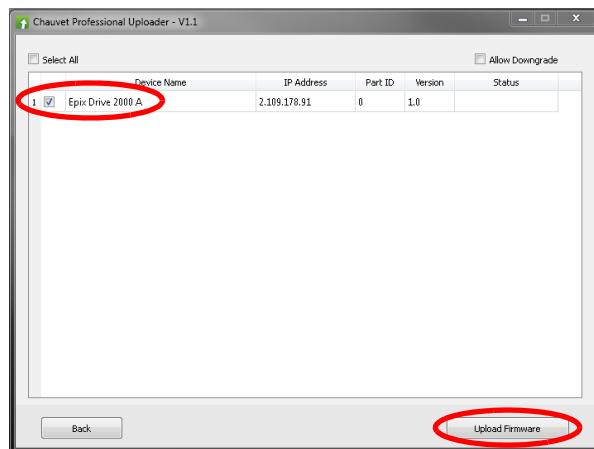
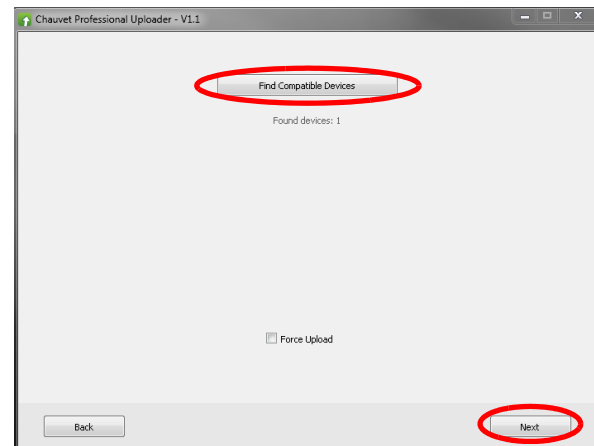
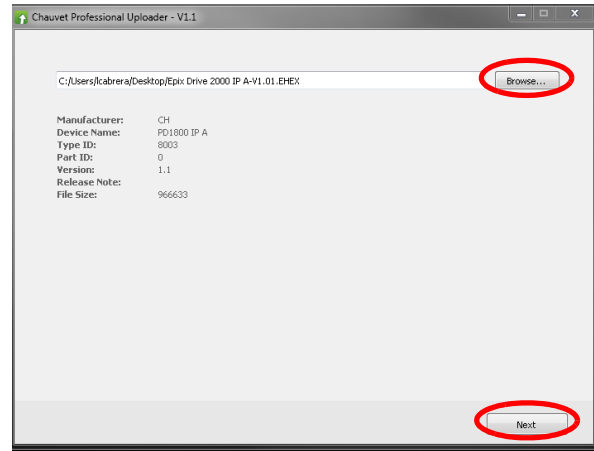
Operation

Firmware Update

On occasion, updates to the firmware for the ÉPIX Drive 2000 IP will be made available. The following is the procedure for obtaining and installing these updates on a Windows PC.

Instructions

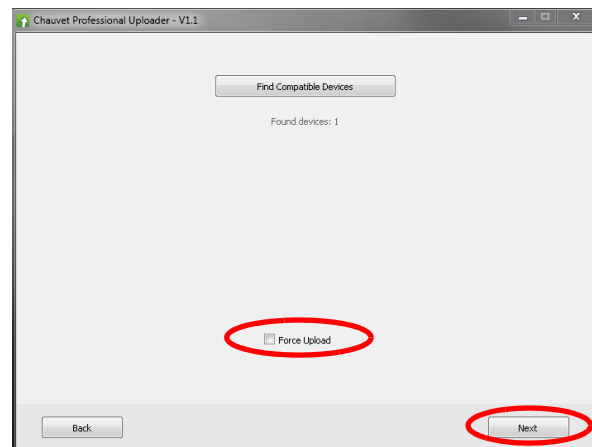
1. Download the CHAUVET Professional Uploader from <http://www.chauvetprofessional.com/products/epix-drive-2000-ip> and install it.
2. Download the latest firmware update from <http://www.chauvetprofessional.com/products/epix-drive-2000-ip>.
 - After downloading the software and update file, disable or disconnect any networks the PC is connected to. Do NOT disable the network created when the ÉPIX Drive 2000 IP is connected in the next step.
3. Power on the ÉPIX Drive 2000 IP and connect it to the computer using an ethernet cable.
4. Open the ÉPIX Drive 2000 IP upload software.
5. Use the **Browse** option to select the latest firmware update to upload.
 - **Note:** ALWAYS upload the **B** file before the **A** file.
6. Click **Next**.
7. Click **Find Compatible Devices**.
8. Click **Next** when the software indicates a device has been found.
 - If the software cannot find the ÉPIX Drive 2000 IP on the network, see [Force Upload Instructions](#).
9. Select the checkbox next to ÉPIX Drive 2000 B or ÉPIX Drive 2000 A. (Always upload the **B** file before the **A** file.)
10. Click **Upload Firmware**.
11. Wait for the upload to complete. Do NOT disconnect or power off the product during this process.
12. When the status field says **Done**, exit out of the upload software.
13. Restart from step 4, uploading the **A** file this time. After uploading the **A** file, skip this step.
14. Disconnect the ÉPIX Drive 2000 IP from the computer. The firmware update is complete.



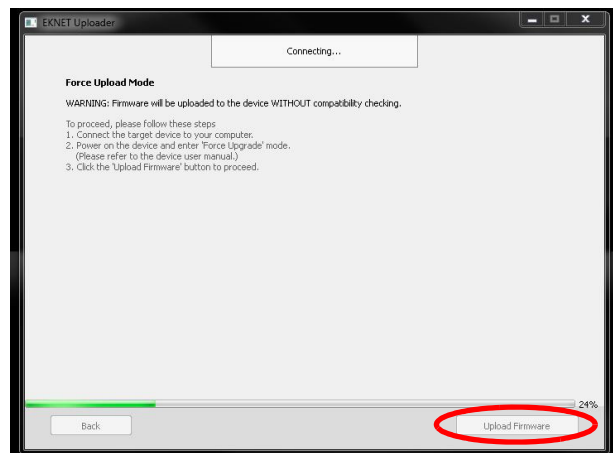
Force Upload Instructions

In the event that the upload software cannot find the ÉPIX Drive 2000 IP on the network, or if the display on the product is black when powered on, follow the instructions below.

1. Set the IP address of the network on the PC to 192.168.1.24, and the subnet to 255.255.255.0.
2. Turn off the ÉPIX Drive 2000 IP. Turn it back on and immediately press and hold **<LEFT>** and **<RIGHT>**. A green LED above the display menu will flash, indicating the product is in Force Upload mode.
3. After selecting the firmware update file (Always upload the **B** file before the **A** file!) and continuing to the **Find Compatible Devices** page, check off the **Force Upload** option.
4. Click **Next**.
5. Click **Upload Firmware**.



6. Wait for the upload to complete. Do NOT disconnect or power off the product during this process.
7. When the upload is complete, exit out of the upload software.
8. Restart from step 2, turning the product off and back on again in Force Upload mode, restarting the upload software, and selecting the **A** file this time. After uploading the **A** file, skip this step.
9. Disconnect the ÉPIX Drive 2000 IP from the computer. The firmware update is complete.



In the event that the [Software Version](#) section of the menu lists **V0.0** for **Port B**, do the following:

1. Follow steps 1 through 3 in the [Instructions](#) under [Firmware Update](#).
2. Press and hold **<RIGHT>** on the ÉPIX Drive 2000 IP until **Force Upload!** shows on the display.
3. Open the ÉPIX Drive 2000 IP upload software.
4. Use the **Browse** option and select the **B** file.
5. Click **Next**.
6. Check off the **Force Upload** option and click **Next**.
7. Click **Upload Firmware**.
8. Wait for the upload to complete. Do NOT disconnect or power off the product during this process.
9. When the upload is complete, exit out of the upload software.

5. Technical Information

Product Maintenance

To maintain optimum performance and minimize wear, clean this product frequently. Usage and environment are contributing factors in determining the cleaning frequency.

Clean this product at least twice a month. Dust build-up reduces performance and can cause overheating. This can lead to reduced life and increased wear.

To clean the product:

1. Unplug the product from power.
2. Wait until the product is at room temperature.
3. Use a vacuum (or dry compressed air) and a soft brush to remove dust collected on the external vents.
4. Clean the LCD display with a mild soap solution, ammonia-free glass cleaner, or isopropyl alcohol.
5. Apply the solution directly to a soft, lint free cotton cloth or a lens cleaning tissue.
6. Softly drag any dirt or grime to the outside of the LCD display.
7. Gently polish the LCD display until it is free of haze and lint.



Always dry transparent surfaces carefully after cleaning them.

6. Technical Specifications

Dimensions and Weight

Length	Width	Height	Weight
19.01 in (483 mm)	3.30 in (84 mm)	10.35 in (263 mm)	12 lb (5.4 kg)

Note: Dimensions in inches rounded to the nearest decimal digit.

Power

Power Supply Type	Range	Voltage Selection
Switching (internal)	100 to 240 VAC, 50/60 Hz	Auto-ranging

Parameter	120 V, 60 Hz	208 V, 60 Hz	230 V, 50 Hz
Consumption	530 W	560 W	558 W
Operating Current	4.68 A	2.69 A	2.5 A
Power Linking	3 products	5 products	5 products

Power I/O	U.S./Worldwide	UK/Europe
Power input connector	Seetronic Powerkon IP65	Seetronic Powerkon IP65
Power Cord plug	Edison (U.S.)	Local Plug

ÉPIX Product Output

Output Connector	Output Voltage	ÉPIX Product	Maximum Load per port	LEDs per product
4-pin XLR x2	48 VDC	ÉPIX Strip IP	10 products	100
		ÉPIX Strip IP 50	20 products	50
		ÉPIX Strip Tour	18 products	50
		ÉPIX Strip Tour 50	36 products	25
		ÉPIX Bar Tour	6 products	150
Any combination up to 1000 IP LEDs or 900 Tour LEDs per port				

Maximum Cable Lengths

Parameter	Shielded	Unshielded
From Drive to 1st product	65 ft (20 m)	200 ft (60 m)
Between products	60 ft (18 m)	75 ft (23 m)
Total from Drive through all products	210 ft (64 m)	300 ft (91 m)

Art-Net™/sACN

I/O Connector	Channel Range (per ÉPIX Strip IP)	Universes
Seetronic Etherkon IP65	7 (total), 8, 15, 30, 75, 150 or 300	10 per port

ArKaos Kling-Net

I/O Connector	Channel Range
Seetronic Etherkon IP65	Determined per ArKaos MediaMaster software

Thermal

Maximum External Temperature	Cooling System
113 °F (45 °C)	Convection



UL 8750
CSA 22.2 No. 250.13
E113093



Ordering

ÉPIX Products

Product Name	Item Name	Item Code	UPC Number
ÉPIX Drive 2000 IP	EPIXDRIVE2000IP	03081319	781462216672
ÉPIX Strip IP	EPIXSTRIP	03091318	781462216665
ÉPIX Strip IP 50	EPIXSTRIP50	03091435	781462217839
ÉPIX Strip Tour	EPIXSTRIPTOUR	03091139	781462214876
ÉPIX Strip Tour 50	EPIXSTRIPTOUR50	09031436	781462217846
ÉPIX Bar Tour	EPIXBARTOUR	03091140	781462214883

Accessories

Product Name	Item Name	Item Code	UPC Number
ÉPIX Strip Tour Dome Accessory (4 pieces)	EPIXSTRIPDOME	03091142	781462214906

4-pin XLR Cables

Product Name	Item Name	Item Code	UPC Number
4-pin XLR Extension Cable, 16 in	4PINEXT16IN	19111143	781462214913
4-pin XLR Extension Cable, 5 ft	4PINEXT5FT	19111144	781462214920
4-pin XLR Extension Cable, 50 ft	4PINEXT50FT	19111147	781462214951

etherCON Cables

Product Name	Item Name	Item Code	UPC Number
Neutrik® etherCON® Extension Cable, 18 in	ETHERCONEXT18IN	19090363	781462207151
Neutrik® etherCON® Extension Cable, 5 ft	ETHERCONEXT5FT	19090364	781462207168
Neutrik® etherCON® Extension Cable, 10 ft	ETHERCONEXT10FT	19090365	781462207175
Neutrik® etherCON® Extension Cable, 25 ft	ETHERCONEXT25FT	19090366	781462207182
Neutrik® etherCON® Extension Cable, 50 ft	ETHERCONEXT50FT	19090367	781462207199

powerCON Cables

Product Name	Item Name	Item Code	UPC Number
Neutrik® powerCON® Extension Cable, 18 in	POWERCONEXT18IN	19110372	781462207243
Neutrik® powerCON® Extension Cable, 5 ft	POWERCONEXT5FT	19110373	781462207250
Neutrik® powerCON® Extension Cable, 10 ft	POWERCONEXT10FT	19110374	781462207267
Neutrik® powerCON® Extension Cable, 25 ft	POWERCONEXT25FT	19110375	781462207274
Neutrik® powerCON® Extension Cable, 50 ft	POWERCONEXT50FT	19110376	781462207281

For the most current list of related products and accessories available from CHAUVET Professional, visit our website at www.chauvetprofessional.com.

Returns

Send the product prepaid, in the original box, and with the original packing and accessories. Chauvet will not issue call tags.

Call Chauvet and request a Return Merchandise Authorization (RMA) number before shipping the product. Be prepared to provide the model number, serial number, and a brief description of the cause(s) for the return.

To submit a service request online, go to www.chauvetprofessional.com/service-request.

Clearly label the package with an RMA number. Chauvet will refuse any product returned without an RMA number.



Write the RMA number on a properly affixed label. DO NOT write the RMA number directly on the box.

Once you have the RMA number, provide the following information on a piece of paper and place it inside the box:

- Your name
- Your address
- Your phone number
- RMA number
- A brief description of the problem

Be sure to pack the product properly. Any shipping damage resulting from inadequate packaging will be your responsibility. FedEx packing or double-boxing are recommended.



Chauvet reserves the right to use its own discretion to repair or replace returned product(s).

Contact Us

General Information	Technical Support
Chauvet World Headquarters	
Address: 5200 NW 108th Ave. Sunrise, FL 33351 Voice: (954) 577-4455 Fax: (954) 929-5560 Toll Free: (800) 762-1084	Voice: (844) 393-7575 Fax: (954) 756-8015 Email: chauvetcs@chauvetlighting.com Website: www.chauvetprofessional.com
Chauvet Europe Ltd	
Address: Unit 1C Brookhill Road Industrial Estate Pinxton, Nottingham, UK NG16 6NT Voice: +44 (0) 1773 511115 Fax: +44 (0) 1773 511110	Email: UKtech@chauvetlighting.eu Website: www.chauvetprofessional.eu
Chauvet Europe BVBA	
Address: Stokstraat 18 9770 Kruishoutem Belgium Voice: +32 9 388 93 97	Email: BNLtech@chauvetlighting.eu Website: www.chauvetprofessional.eu
Chauvet France	
Address: 3, Rue Ampère 91380 Chilly-Mazarin France Voice: +33 1 78 85 33 59	Email: FRtech@chauvetlighting.fr Website: www.chauvetprofessional.eu
Chauvet Germany	
Address: Bruno-Bürgerl-Str. 11 28759 Bremen Germany Voice: +49 421 62 60 20	Email: DEtech@chauvetlighting.de Website: www.chauvetprofessional.eu
Chauvet Mexico	
Address: Av. de las Partidas 34 - 3B (Entrance by Calle 2) Zona Industrial Lerma Lerma, Edo. de México, CP 52000 Voice: +52 (728) 690-2010	Email: servicio@chauvet.com.mx Website: www.chauvetprofessional.mx

Visit the applicable website above to verify our contact information and instructions to request support. Outside the U.S., U.K., Ireland, France, Germany, Benelux, or Mexico, contact the dealer of record.