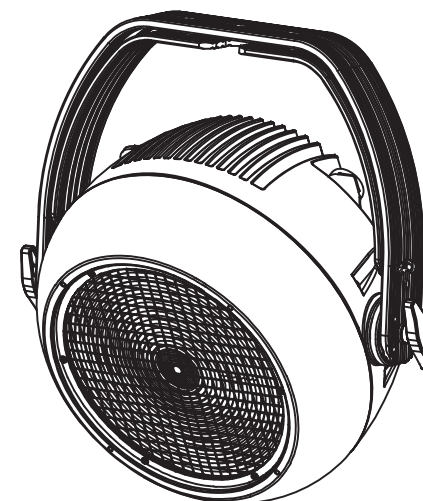


LIGHTMEN



ORB 300

USER MANUAL

TABLE OF CONTENTS

SAFETY	01
DIMENSIONS	02
DESCRIPTION	03
INTRODUCTION	03
POWER CONNECTING	04
PHOTOMETRICS	05
DMX CONNECTING	05
TECHNICAL SPECIFICATION	07
MENU	08
MENU DESCRIPTION	08
DMX CHANNELS	10
TROUBLE SHOOTING	11



WARNING

Before carrying out any operations with the unit, carefully read this instruction manual and keep it with care for future reference. It contains important information about the installation, usage and maintenance of the unit.

SAFETY

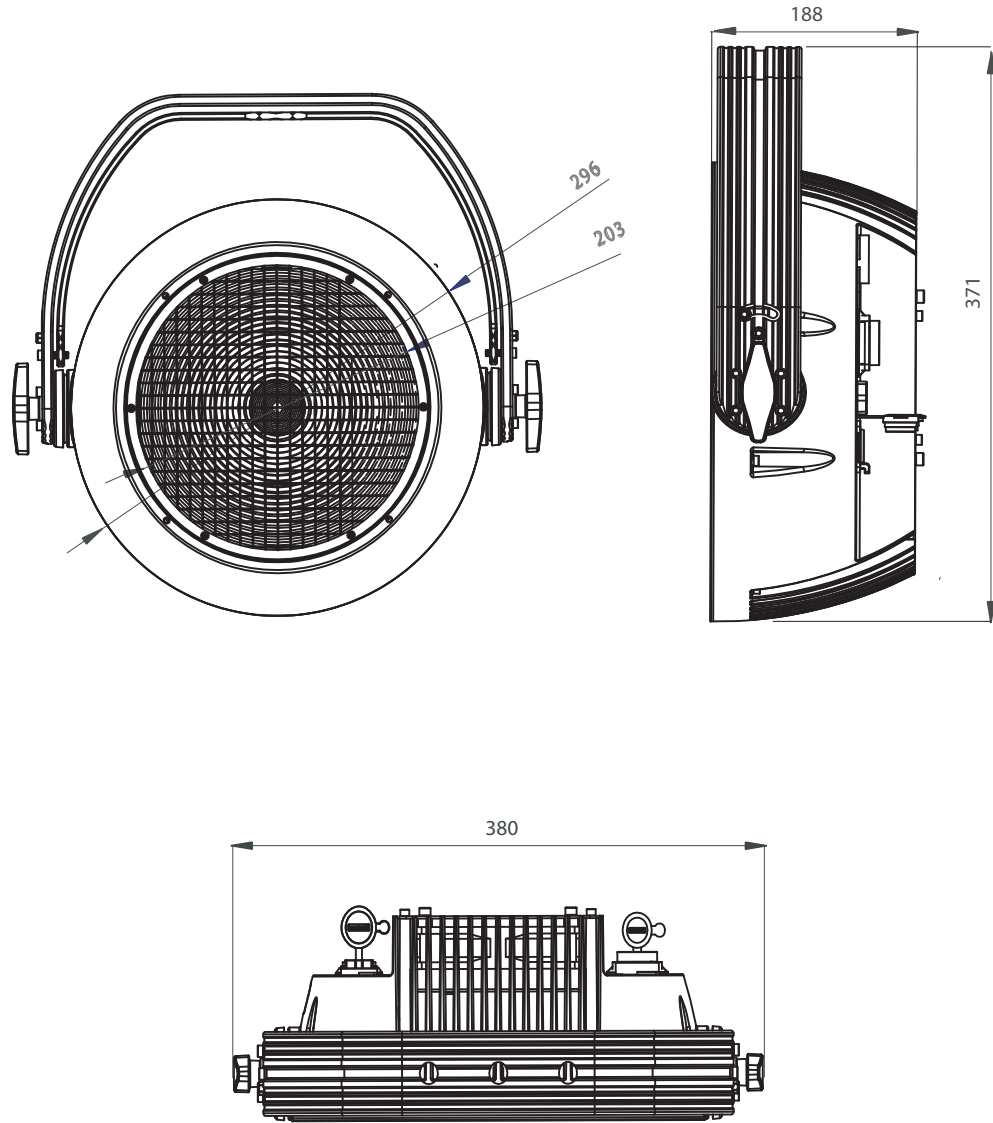
General instruction

- The products referred to in this manual conform to the European Community Directives and are therefore marked with.
- The unit is supplied with hazardous network voltage (230V~). Leave servicing to skilled personnel only.
- Never make any modifications on the unit not described in this instruction manual, otherwise you will risk an electric shock.
- Connection must be made to a power supply system fitted with efficient earthing (Class I appliance according to standard EN 60598-1). It is, moreover, recommended to protect the supply lines of the units from indirect contact and/or shorting to earth by using appropriately sized residual current devices.
- The connection to the main network of electric distribution must be carried out by a qualified electrical installer. Check that the main frequency and voltage correspond to those for which the unit is designed as given on the electrical data label.
- This unit is not for home use, only professional applications.
- Never use the fixture under the following conditions:
 - in places wet;
 - in places subject to vibrations or bumps;
 - in places with an ambient temperature of over 45°
- Make certain that no inflammable liquids, water or metal objects enter the fixture.
- All work must always be carried out by qualified technical personnel. Contact the nearest sales point for an inspection or contact the manufacturer directly.
- If the unit is to be put out of operation definitively, take it to a local recycling plant for a disposal

Warnings and installation precautions

- If this device will be operated in any way different to the one described in this manual, it may suffer damage and the guarantee becomes void. Furthermore, any other operation may lead to dangers like short circuit, burns, electric shock, etc.
- Before starting any maintenance work or cleaning the projector, cut off power from the main supply.
- Always additionally secure the projector with the safety rope. When carrying out any work, always comply scrupulously with all the regulations (particularly regarding safety) currently in force in the country in which the fixture's being used.
- For inside use only. Not designed for outside use.
- The minimum distance between the fixture and surrounding walls must be more than 50cm and the air vents at the housing must not be covered in any case.
- Install the fixture in a well ventilated place.
- Keep any inflammable material at a safe distance from the fixture.
- The maximum temperature that can be reached on the external surface of the fitting, in a thermally steady state, is high. After power off, please cool down over 15 minutes.
- Shields, lenses or ultraviolet screens shall be changed if they have become damaged to such an extent that their effectiveness is impaired.
- The lamp(LED) shall be changed if it has become damaged or thermally deformed.
- Never look directly at the light beam. Please note that fast changes in lighting, e.g. flashing light, may trigger epileptic seizures in photosensitive persons or persons with epilepsy.

DIMENSIONS



DESCRIPTION

Breakthrough design delivers massive blinding output with old-school red shift effect

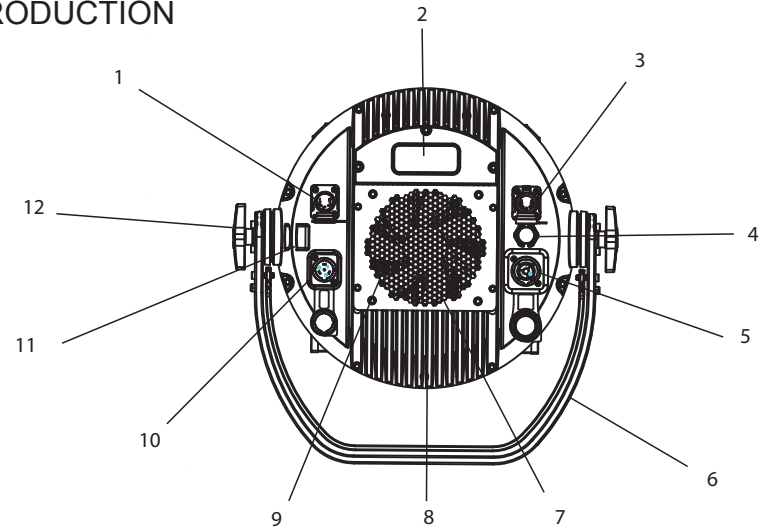
Proprietary LED configuration produces stunning classic halogen feel

Variety of dimming curves to accurately evoke the look and feel of classic blinders

Outdoor-rated, touring-ready construction and design



INTRODUCTION



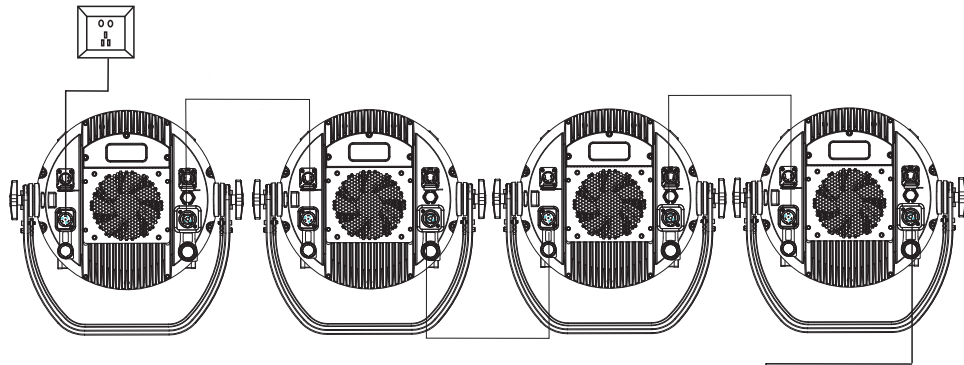
1. 5-Pin XLR IN	2. OLED Display	3. PowerCon In
4. Breather Valve	5. PowerCon OUT	6. Bracket
7. Fan Grill	8. Heat Sink	9. Fan (IP65)
10. 5-Pin XLR OUT	11. Safety Loop	12. Bracket Knob

INTRODUCTION

Menu Function Navigation

Mode	Illustration	Function Description	Effect
Menu	Menu Option	Enter the Menu	Menu Operation
Up	Up	Scroll Up	Increase the Numeric Value
Down	Down	Scroll Down	Decrease the Numeric Value
Enter	Confirm	Confirm the Chosen Menu	Save the Function

Power Connecting



Power In



Using POWER CON In/Out
Power cable connected in series
Attention • due to the power rating •
one 1.5mm² power cable can connect 5 units maximum

Power Out



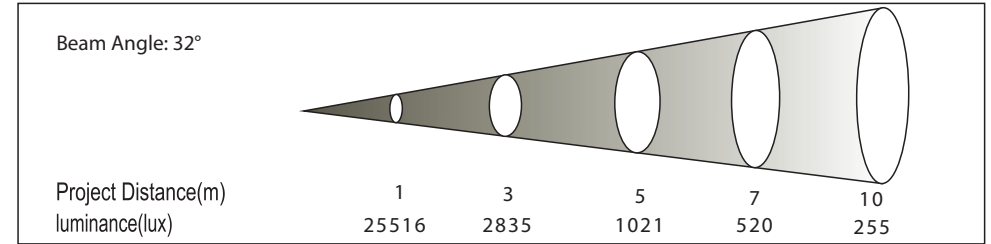
Subsequent



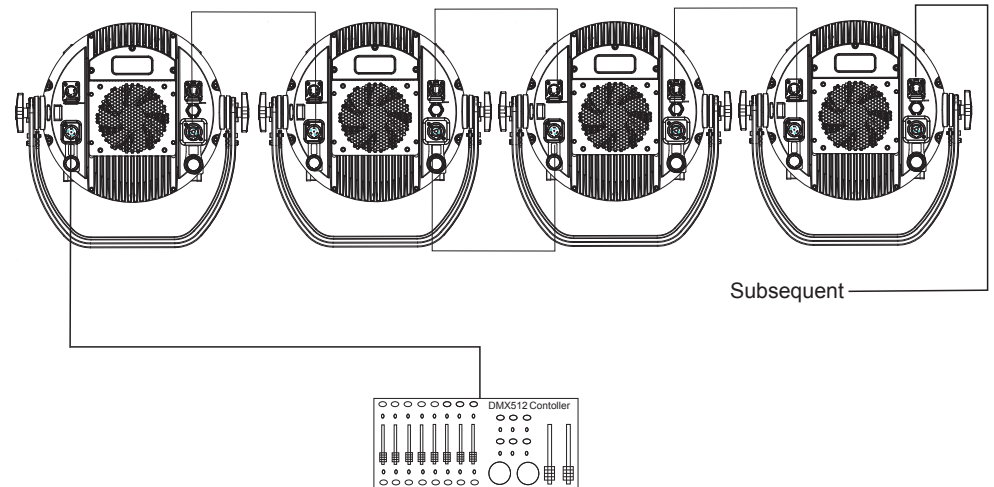
WARNING

Do not connect more than 5 units in series with one power cable.
Do not use damaged power cables.
Turn off the power when the units are not in use.

PHOTOMETRIC

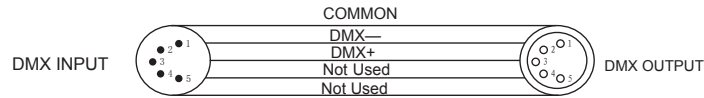


DMX CONNECTION



DMX CONNECTION

DMX 512 Controller



Relation between DMX and Address

MODE	ALLOCATION	STARTING ADDRESS 1ST FIXTURE	STARTING ADDRESS 2ND FIXTURE	STARTING ADDRESS 3RD FIXTURE	STARTING ADDRESS 4TH FIXTURE
2CH	001-002	001	003	005	007
3CH	001-004	001	004	007	010
4CH	001-004	001	005	009	013
5CH	001-005	001	006	011	016

Follow above method for subsequent fixtures, calculating starting addresses as indicated.

TECHNICAL SPECIFICATION

Photometrics:

Light Source: Proprietary red-shifting LED combo

Beam Angle: 32°

Field Angle: 56°

Output: 1027 LUX @ 5 Meters

Key Features:

Color Mixing: Amber + White

Strobe: 0-30HZ

Dimming: 4 dimming curve modes

IP rating: IP65

Control:

Protocol: DMX512

DMX Channels: 2, 3, 4, 5

Display: digital function menu with 4 touch buttons

Power:

Mains: 100-240VAC 50/60HZ

Consumption: 260W/ 230V

I/O:

Power connections: PowerCon IN/OUT

Data connections: 5-Pin XLR IN/OUT

Thermal:

Cooling: Active

Max. Ambient: 40°C

Min. Ambient: -20°C

Max Housing: 61°C

Physical:

Dimensions: 380 x 188 x 371mm

Weight: 8.5 KG

Misc/Options:

Power Cord: Included (PowerCon)

Mounting Clamp: Not included

Touring Case : Not included



MENU

NO.	Main Menu	Submenu	Submenu	Defaults
1	DMX Address	<001>		Default: 001
2	DMX Channel	2Ch		Default: 5CH
		3Ch		
		4Ch		
		5Ch		
3	Static	Dimmer	<255>	Default: Dimmer=255; Strobe=0
		Strobe	<0>	
4	Auto Show	Auto 1	<100>	Default: Auto 1; Speed:100
		Auto 2	<100>	
		Auto 3	<100>	
5	Red Shift	On		Default: On
		Off		
6	Master/Slave	Master		Default: Slave
		Slave		
7	Dimmer Mode	Off		Default: OFF
		Dimmer 1		
		Dimmer 2		
		Dimmer 3		
8	LED Frequency	600Hz		Default: 1200HZ
		1200 Hz		
		2000 Hz		
		4000 Hz		
		25KHz		
9	Fan Mode	Auto		Default: Auto
		On		
10	Back Light	On		Default: On
		10S		
		20S		
		30S		
11	Key Lock	On		Default: On
		Off		
12	Information	Fixture Hours	<9999>	
		Version	<V1.0>	
		UID		
13	Reset Factory	No		Default: No
		Yes		

MENU DESCRIPTION

DMX Function

1. DMX Address : Set DMX starting address at a value between 001-512.
2. DMX Channels : Selectable DMX mode 2 / 3 / 4 / 5 channels.

Static

Sets the intensity of the light output and selects the strobe frequency.

Auto Show

Three Automatic Programs available.

Red Shift

Turns on or off the red shift.

Master/Slave

Assign fixture to operate as either Master or Slave unit in daisy-chained configurations.

Dimmer Mode

Four selectable dimmer curves: OFF, Dimmer 1, 2, 3 (fast, medium, slow).

LED Frequency

Five selectable PWM frequencies: 600 / 1200 / 2000 / 4000 / 25HZ.

FAN MODE

Active, Fan control.

Back light

Set delay time for menu display to go dark at either 10, 20 or 30 seconds or choose always ON.

Key lock

Password protection option.

Information

Displays fixture run time, software version and UID.

Factory Reset

Restore factory settings.

DMX CHANNELS

2CH	Function	Value	Percent/Setting	
1	Dimmer	000-255	0-100%	
2	Red Shift On/OFF	1-000 2-255	ON OFF	

3CH	Function	Value	Percent/Setting	
1	Dimmer	000-255	0-100%	
2	Dimmer Fine	000-255	0-100%	
3	Red Shift On/OFF	1-000 2-255	ON OFF	

4CH	Function	Value	Percent/Setting	Remarks
1	Dimmer	000-255	0-100%	
2	Red Shift On/OFF	1-000 2-255	ON OFF	
3	Strobe Rate	000-010 011-255	No Function Strobe slow to fast	when running auto programs
4	Strobe Pre-Programs	000-010 011-080 081-160 161-240 241-255	No function Auto 1 slow to fast Auto 2 slow to fast Auto 3 slow to fast No function	

5CH	Function	Value	Percent/Setting	
1	Dimmer	000-255	0-100%	
2	Dimmer Fine	000-255	0-100%	
3	Red Shift On/OFF	1-000 2-255	ON OFF	
4	Strobe Rate	000-010 011-255	No Function Strobe slow to fast	
5	Strobe Pre-Programs	000-010 011-080 081-160 161-240 241-255	No function Auto 1 slow to fast Auto 2 slow to fast Auto 3 slow to fast No function	

TROUBLE SHOOTING

Problem	Possible Causes	Checklist and Remedies
Fixture does not light up	<ul style="list-style-type: none"> No mains supply Dimmer fader set to 0 All color faders set to 0 Faulty LED Faulty LED board 	<ul style="list-style-type: none"> Check the power supply voltage Increase the value of the dimmer channels Increase the value of the color channels Replace the LED board Replace the LED board
General low light intensity	<ul style="list-style-type: none"> Dirty lens assembly Misaligned lens assembly 	<ul style="list-style-type: none"> Clean the fixture regularly Install lens assembly properly
Fixture does not power up	<ul style="list-style-type: none"> No power Loose or damaged power cord Faulty internal power supply 	<ul style="list-style-type: none"> Check for power on power outlet Check power cord Replace internal power supply
Fixture does not respond to DMX	<ul style="list-style-type: none"> Wrong DMX addressing Damaged DMX cables Bouncing signals 	<ul style="list-style-type: none"> Check control panel and unit addressing Check DMX cables Install terminator as suggested